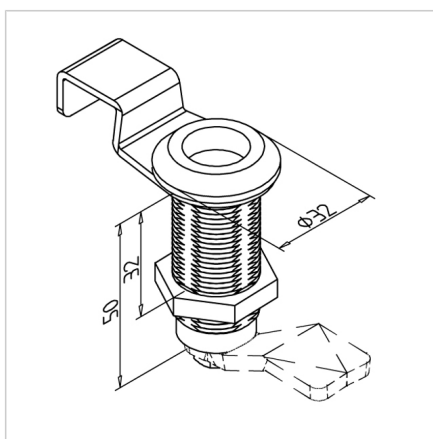


## BOLT LOCK 32 FOR SOCKET HEX HEAD WRENCH SW 10

Code: 211087/8

Locking bolt with internal hex key for secure closure of doors and covers in guarding systems made from 32 profile aluminium sections.

[Link to the product →](#)



### Technical data/items supplied

- Zinc, Pressure die-casting, black
- For Allen wrench SW 10
- With fastening nut steel, galvanized
- With opening bracket, steel, black
- Without locks
- Weight = 0.102 kg/piece

### Applications

- For profiles 32
- Locking of doors and lids in guard units

### Assembly

- Drill hole  $\varnothing 22$  mm in the centre of the profile recommended: anti-twist protection F **part no.. 210941/0**
- To ensure the torsion protection, a pocket with SW 20.1 mm can alternatively be milled
- Tighten using front handle from the back side with the fastening nut