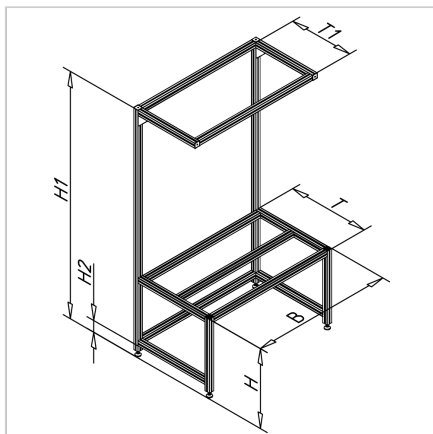


BOX TABLE L WITH PORTAL CONSTRUCTION VARIABLE

Code: 320112/0

Workbench frame with portal structure designed for ergonomic and efficient work processes.

[Link to the product →](#)



Technical data/items supplied

- Hinged feet PA - M10 Ø45, as floor levelling, height adjustable
- Frame mounted with MiniTec power-lock fasteners
- Without tabletop
- Max. dimensions: B=2000 mm, T=1000 mm
- **Please specify the required dimensions B, T, T1, H, H1 and H2**
- Seated workplace (without table top): H = 678 mm
- Standing workplace (without table top): H = 878 mm
- OPTIONAL: 3-part visual protection, chipboard 8 mm, light grey
- B=1000mm, maximum load: 1500N **part no. 32.0112/1**
- B=1200mm, maximum load: 1000N **part no. 32.0112/2**
- B=1500mm, maximum load: 800N **part no. 32.0112/3**
- B=2000mm, maximum load: 800N **part no. 32.0112/4**
- **higher loading capacity on request**