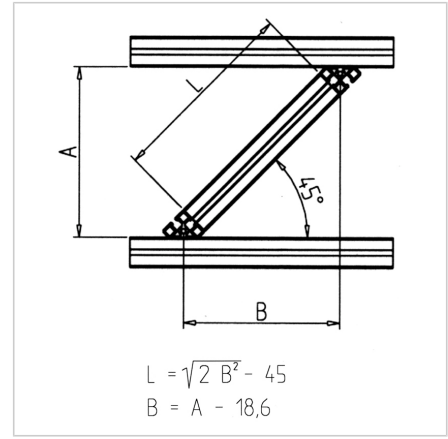
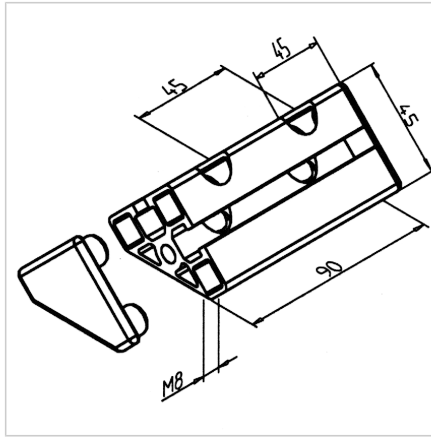
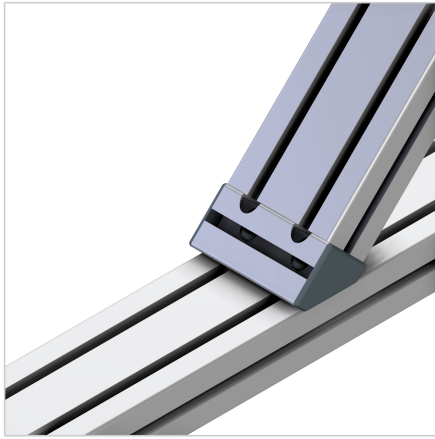


BRACE SOCKET 45° 90MM

Code: 211727/4

[Link to the product →](#)



Technical data/items supplied

- Aluminium, anodized E6/EV1
- From profile 45/45°
- With fastening material steel, zinc plated
- With caps, grey
- Weight = 0.178 kg/piece

Applications

- Bracing in the composite structure

Assembly

- Screw the brace socket onto the frame
- Insert supports by means of MiniTec power-lock fasteners and tighten
- Install caps