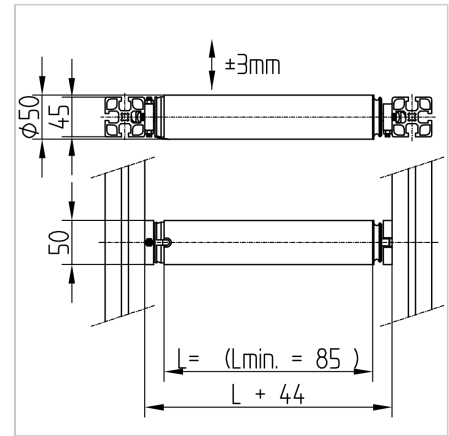
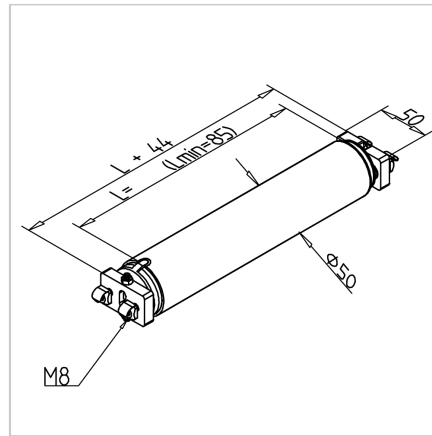
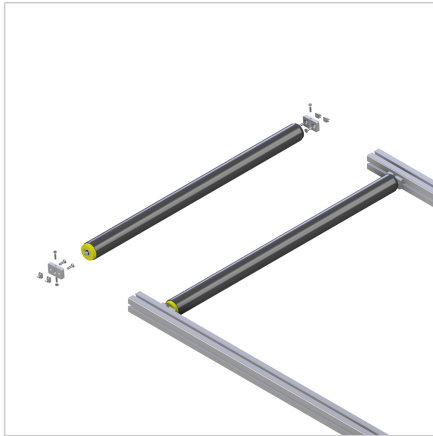


## BRAKE ROLLER PVC 50

Code: 212250/0

[Link to the product →](#)



### Technical data/items supplied

- With fastening material steel, zinc plated
- ABS, grey
- **Please specify dimension L** (pipe length)
- On request also available with tube in aluminum mill finished, anodized or stainless steel
- Weight = (basic weight) 0.295 kg
- Extra weight = 0.45 kg/m tube length

### Applications

- To decelerate transport boxes on sloped roller conveyors
- When it comes to the requirement for high concentricity, a tube made of aluminum or stainless steel is to be preferred

### Assembly

- Mount lateral support on frame of roller conveyor
- Clamp the roller and adjust the height above the lower studs
- The brake-roller can be adjusted in height +/- 3 mm