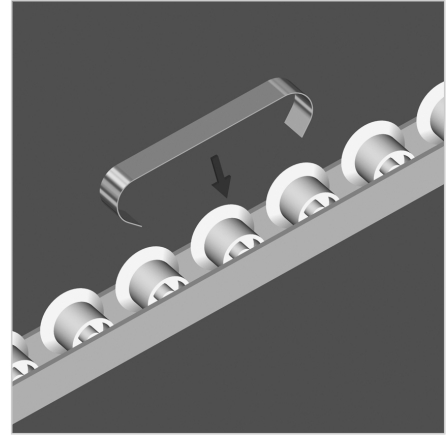
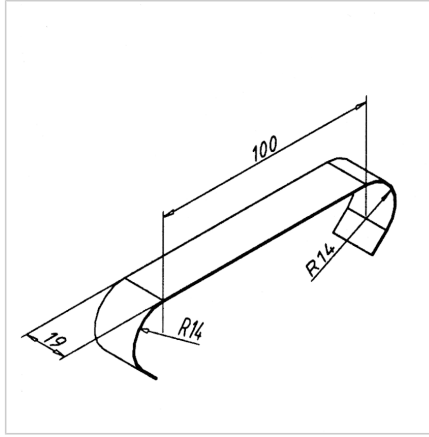
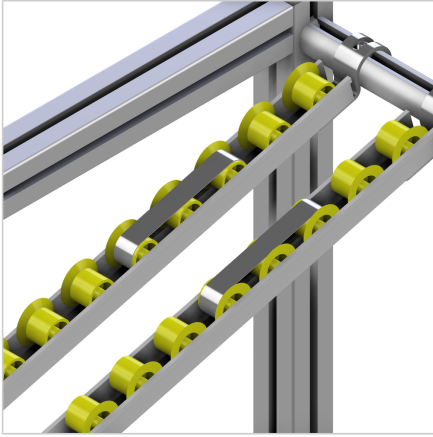


BRAKE SHEET FOR ROLLER BAR

Code: 320571/0

[Link to the product →](#)



Technical data/items supplied

- Steel
- Brake plate on spring steel for 50 mm division
- In connection with conductive roller ESD conductive
- Weight = 0.017 kg/piece

Applications

- The brake plate can be fastened at any desired location

Assembly

- Attach to the roller strip