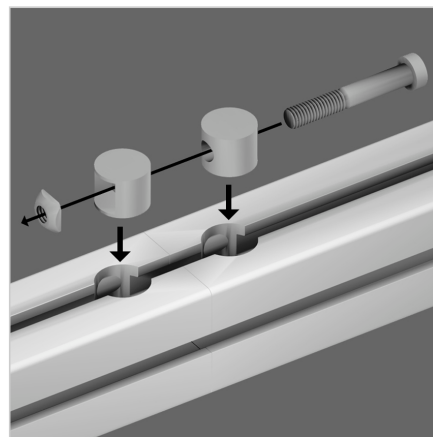
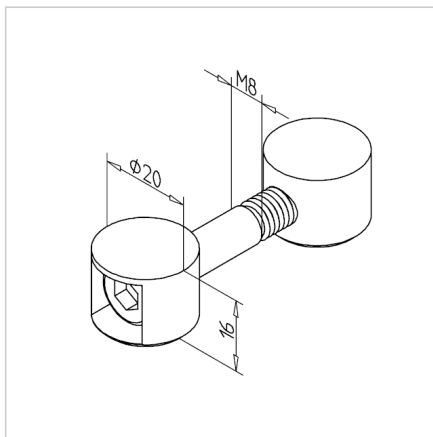
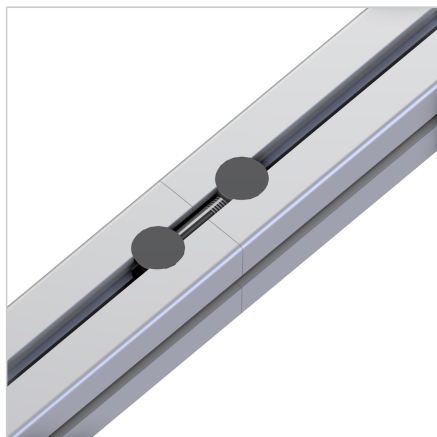


BUTT FASTENER 20

Code: 211020/0

Butt connector 20 for straight joining of aluminum profiles, ideal for strong and precise assembly of constructions.

[Link to the product →](#)



Technical data/items supplied

- Zinc, Pressure die-casting, galvanized
- With fastening material steel, zinc plated
- Weight = 0.056 kg/piece

Applications

- Profile extension
- Butt connectors

Assembly

- Insert the stepped bore $\varnothing 7 \times 20$, 16 mm deep, positioned 22.5 mm from the end of the profile to the center of the groove
- Insert the connector and pre-tighten the screw with the ball head wrench SW 5
- Fastening with Allen wrench
- Recommended locking torque: 15 Nm
- In addition, another T-slot bar can be inserted in another unused profile groove. This achieves more accurate positioning of the profiles relative to each other