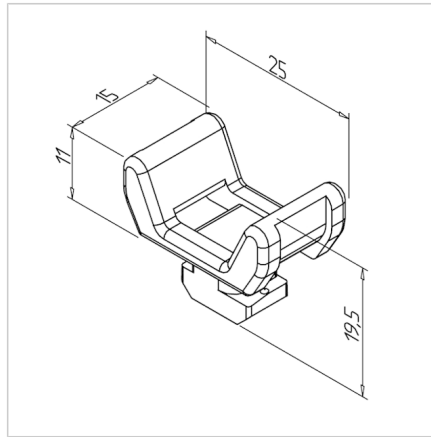
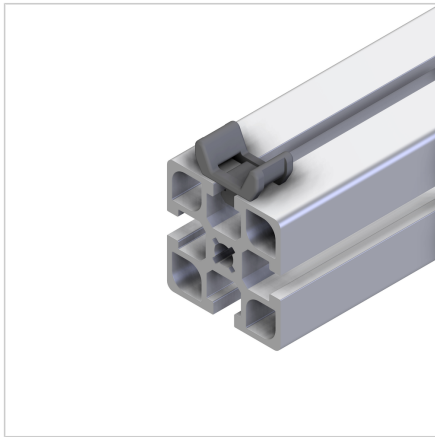


CABLE CLIP 27-45

Code: 221204/0

Inner angle for conduit 27 for profiles series 45, providing secure and stable corner connections in aluminum constructions.

[Link to the product →](#)



Technical data/items supplied

- PA, Injection Mould, grey
- Weight = 0.003 kg/piece

Applications

- Simple and rational fastening of cables and pneumatic hoses
- Fixing of cable canal 27 AL and cable canal 90 AL
- Use with all profiles of the 45 profile series

Assembly

- Insert in profile groove and fix by 90° rotation
- Insert cable tie band through the cable clip and around the cable. Bind together, cut off any excessive length