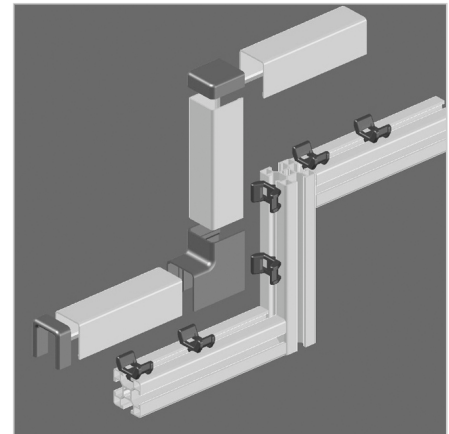
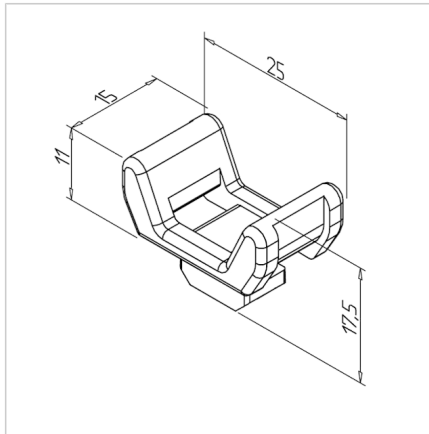
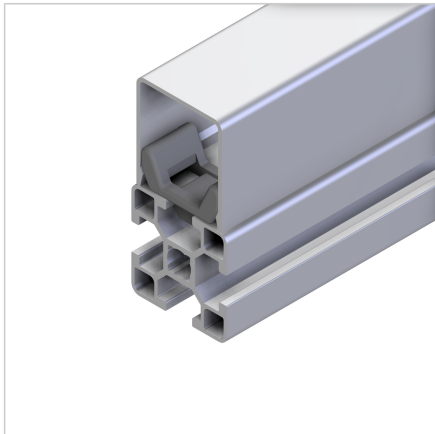


## CABLE CLIP 30

Code: 221212/0

Inner angle for conduit 27 for profiles series 30, providing secure and stable corner connections in aluminum constructions.

[Link to the product →](#)



### Technical data/items supplied

- ABS, Injection Mould, grey
- Weight = 0.002 kg/piece

### Applications

- Simple and rational fastening of cables and pneumatic hoses
- Fixing of cable canal 27 AL
- For use of all profile types of profile series 30

### Assembly

- Insert in profile groove and fix by 90° rotation
- Insert cable tie band through the cable clip and around the cable. Bind together, cut off any excessive length