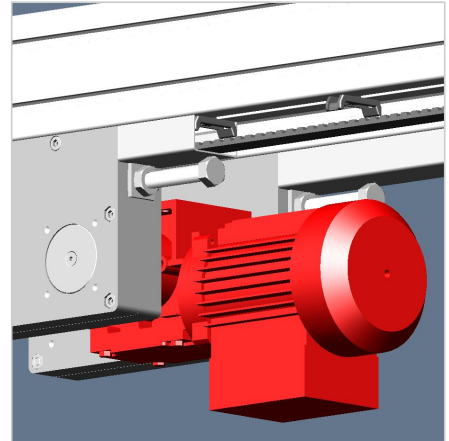
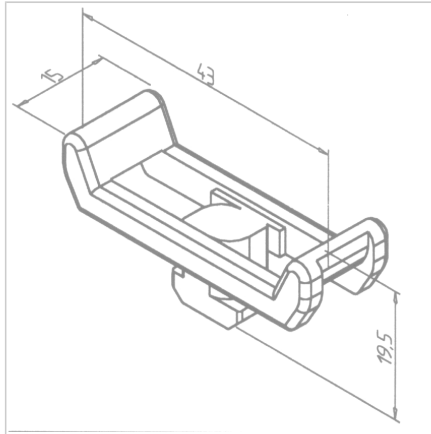
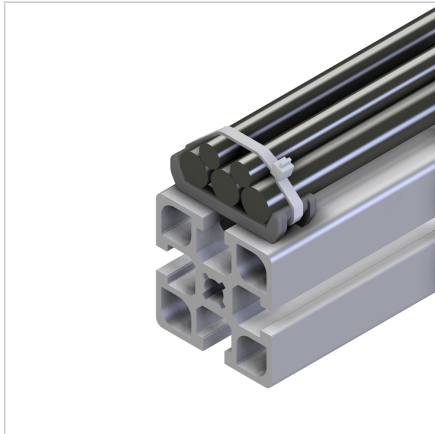


CABLE CLIP 45

Code: 221210/0

Simple cable clip for fastening cables, pneumatic hoses, and cable ducts 27 and 90 in aluminium profiles of the 45 series.

[Link to the product →](#)



Technical data/items supplied

- PA, Injection Mould, grey
- Weight = 0.004 kg/piece

Applications

- Simple and rational fastening of cables and pneumatic hoses
- Suitable for conduit 45 AL

Assembly

- Insert in profile groove and fix by 90° rotation
- Insert cable tie band through the cable clip and around the cable. Bind together, cut off any excessive length
- Cover of timing belt, chains etc.