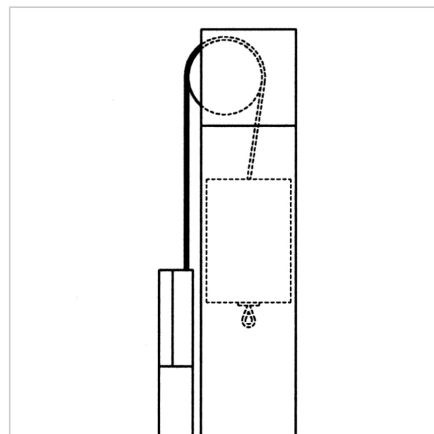
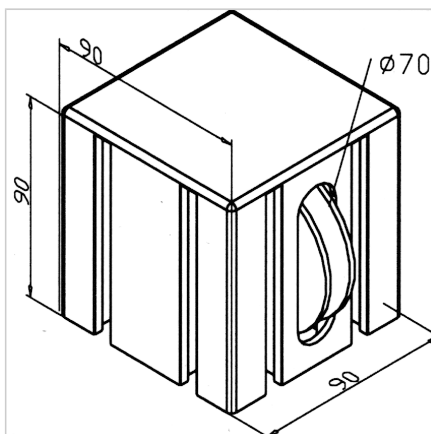
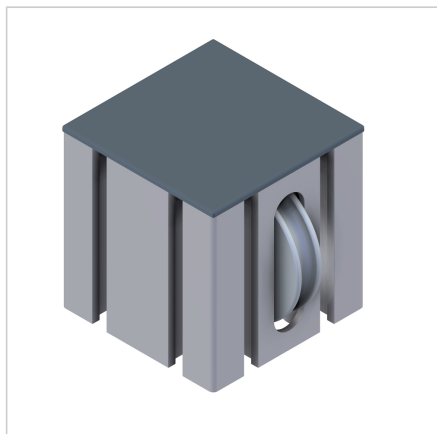


## CABLE PULLEY 90

Code: 211776/0

Cable Pulley 90 for chain redirection on lift doors, ideal for counterweight compensation and heavy load applications.

[Link to the product →](#)



### Technical data/items supplied

- Aluminium, anodized E6/EV1
- Housing from profile 90 x 90
- Pulley steel, galvanized, installed ready for assembly
- End cap
- Maximum weight of the lifting door with paired insertion of the pulley, 30kg
- Weight = 0.680 kg/piece

### Applications

- Chain reverse unit of counterweights on lifting doors, for internal compensation weight in profile 90 x 90 L
- For continuous movement and loads use >30 Kg chain redirector 90

### Assembly

- Attachment to the stand profile with 4 terminal strips 90 **part no. 211029/0**
- Associated rope **part no. 211777/0** is consumable and must be checked regularly and lubricated if necessary