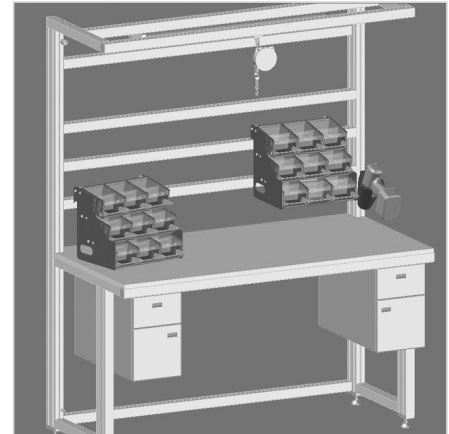
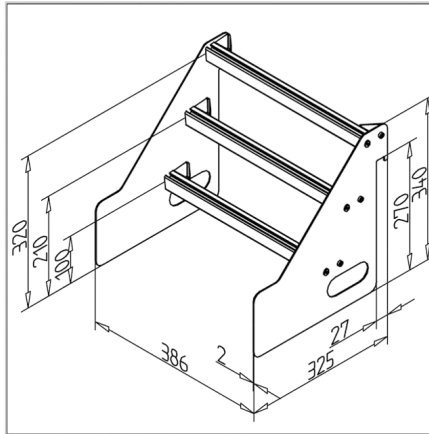


## CANTAINER - SHELF, STRAIGHT 3 X 3

Code: 320876/0

Rack for 9 plastic bins provides better organization, easy access, and clear visibility of materials at the workplace.

[Link to the product →](#)



### Technical data/items supplied

- Side panels steel, powder coated, grey
- Intermediate struts of profile 23 x 30
- Delivery as construction set
- Fastening kit
- Weight = 3.400 kg/piece

### Applications

- Accepting 9 KanTainers
- Adjustable inclination
- With the hooks on the back, the shelf can also be hung in our profile grooves

### Assembly

- Screw profiles to side panels with supplied mounting angles and mounting hardware