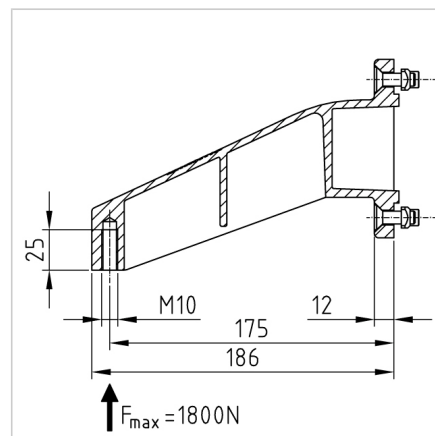
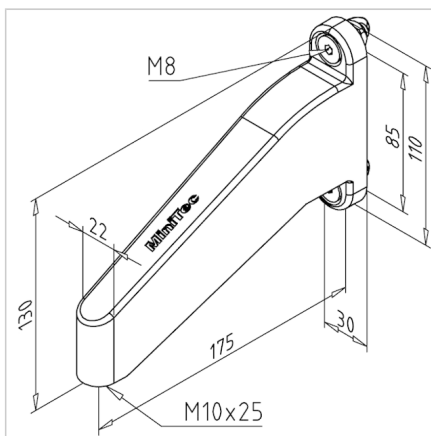


CANTILEVER FOOT 175

Code: 212191/0

Support foot 175 for stable placement of frames and secure mounting of stands in industrial structures.

[Link to the product →](#)



Technical data/items supplied

- Aluminium, Pressure die-casting, powder-coated, grey
- With fastening material steel, zinc plated
- Weight = 0.369 kg/piece

Applications

- Placing frames and attaching stands

Assembly

- Attachment to profile strut with fastening material
- Fastening of casters, articulated feet, and screws M10