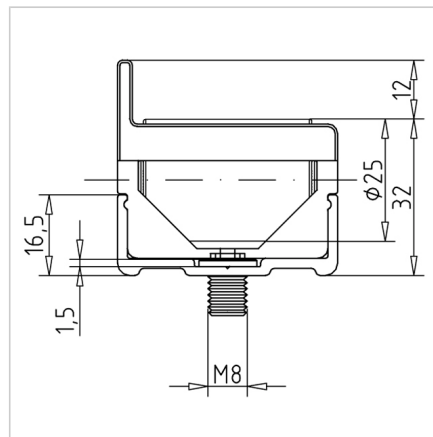
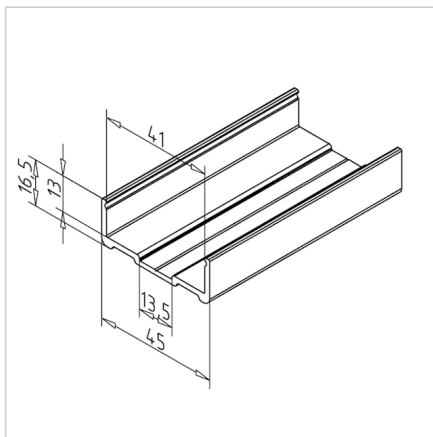


CARRIER PROFILE 45 R

Code: 201133/0

Alu profile 45 R for industrial use. Explore our aluminium profile system – strong, modular, and easy to assemble.

[Link to the product →](#)



Technical data/items supplied

- Aluminium, anodized E6/EV1
- $I_x = 0.289 \text{ cm}^4$
- $I_y = 0.428 \text{ cm}^4$
- $w_x = 0.128 \text{ cm}^3$
- $w_y = 0.966 \text{ cm}^3$
- $IT = 4.573 \text{ cm}^4$
- Weight = 0.414 kg/m
- Bar length = 6 m

Applications

- For the manufacture of miniature roller tracks
- For use with the following roll carriers:
roll carrier 45 x 45R with cover **part no. 221151/0**
Roller carrier 45 x 45R with SF cover **part no. 221152/0**

Assembly

- Bore $\varnothing 8,5$ bring in desired positions
- Assemble with pan head screw **part no. 211666/0** and sliding nut 08 with spring sheet **part no. 211351/2**
- Insert required roller carrier