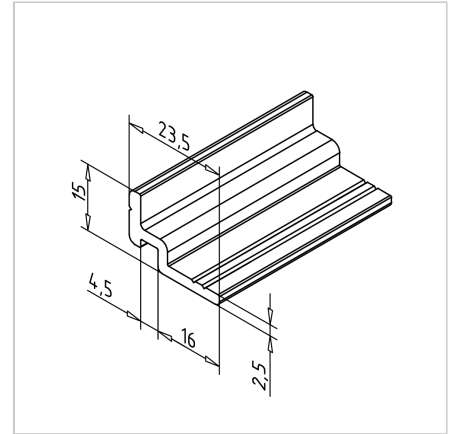
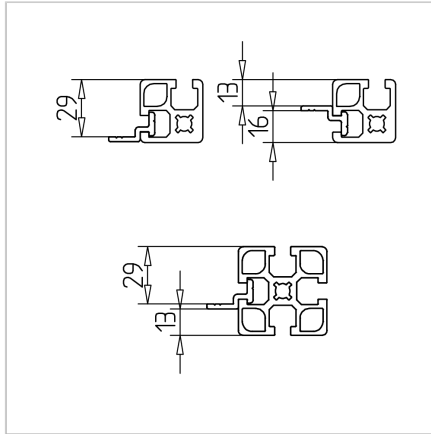
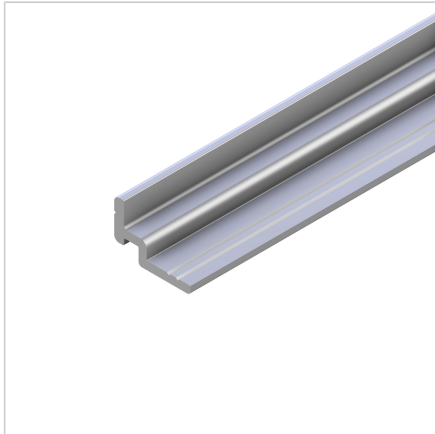


## CARRIER PROFILE F FOR PANEL ELEMENTS

Code: 201149/0

Aluminium profiles for panel support. Modular alu profile system for industrial structures and machine building.

[Link to the product →](#)



### Technical data/items supplied

- Aluminium, extruded, anodized E6/EV1
- Weight = 0.262 kg/m
- Bar length = 6 m

### Applications

- All types of safety equipment
- For installation of surface elements such as panels and plates up to a thickness of 19 mm
- Subsequent insertion

### Assembly

- Slide the carrier profile into the groove and if necessary, fix it with a threaded pin