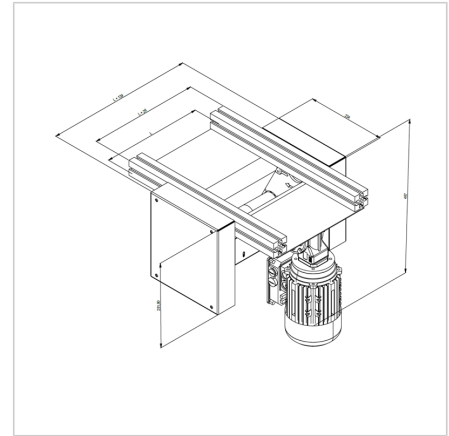
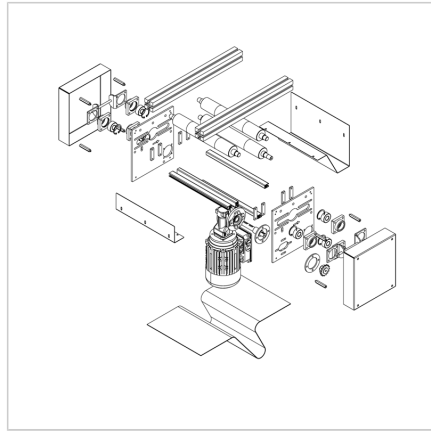
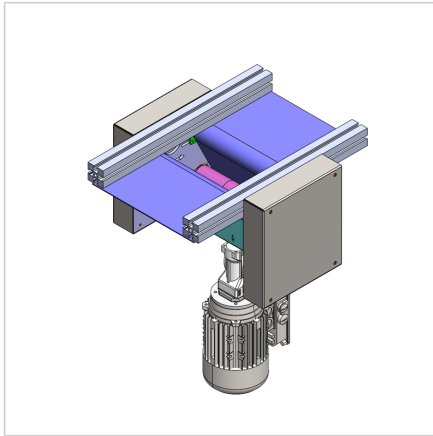


CENTRAL DRIVE 50

Code: 3002720/0

[Link to the product →](#)



Technical data/items supplied

- 2 belt tensioning cylinder and 1 belt driving cylinder
- Ball bearings on both sides
- With complete mounting material, without motor
- Weight = (basic weight) 15.643 kg
- Extra weight = 10.966 kg/100 mm belt width

Applications

- Space saving drive
- Motor below conveyor
- Suitable for nosebar on both ends

Assembly

- Pre-assemble the side plates
- Install belt driving cylinder and belt tensioning cylinder with bearing housing
- Install engine, then adjust belt tension and track!
- A selection of suitable motors:
- Please refer Chapter 1.9 Drive & control