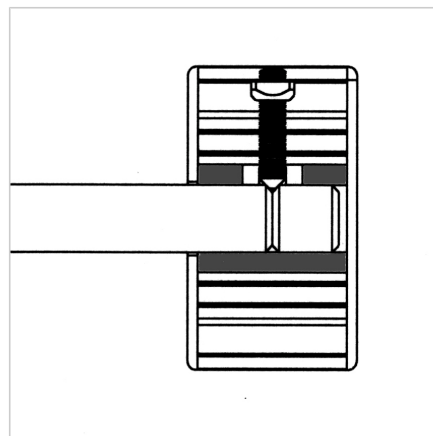
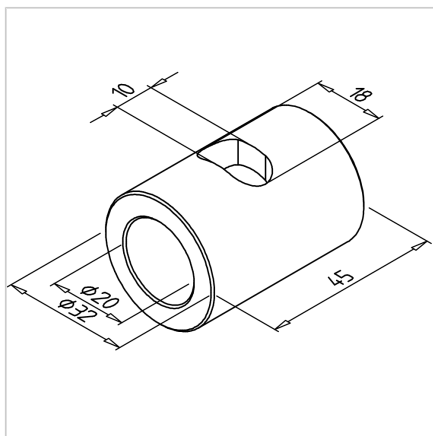


CENTRING BUSH D=32;D=20;L=45

Code: 280146/0

The centring bushing ensures precise alignment and stable positioning of shafts or axles in mechanical and linear systems.

[Link to the product →](#)



Technical data/items supplied

- Aluminium, bright
- Weight = 0.056 kg/piece

Applications

- Insert centering bush in bore $\varnothing 32$ mm
- Insert shaft
- Clamps with threaded pin M8 x 35 **part no.** 21.1304/1 and sliding nut **part no.** 211351/0

Assembly

- Central shaft clamping in all shaft support blocks of the MiniTec linear systems LB