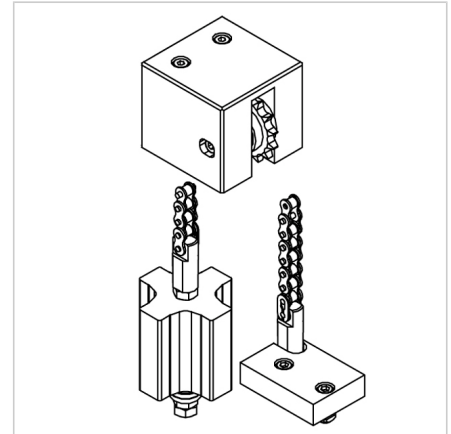
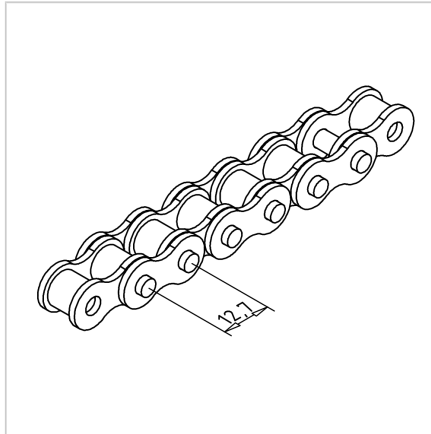


## CHAIN 08

Code: 290307/0

Roller chain 08 for reliable power transmission and motion transfer in industrial machinery and aluminum structures.

[Link to the product →](#)



### Technical data/items supplied

- Steel
- Size 8
- Breaking force min. 18,000 N
- **Please indicate desired length**
- Weight = 0.700 kg/m

### Applications

- Use in conjunction with balancing weight 45 or 90 and chain clamping 90 S
- For this chain clamping weight S **part no.** [210925/0](#) use

### Assembly

- Attachment to the stand profile with 4 terminal strips Fixing with chain clamp weight S **part no.** [210925/0](#) on threaded rod M10 **part no.** [211667/0](#) for receiving the balance weights