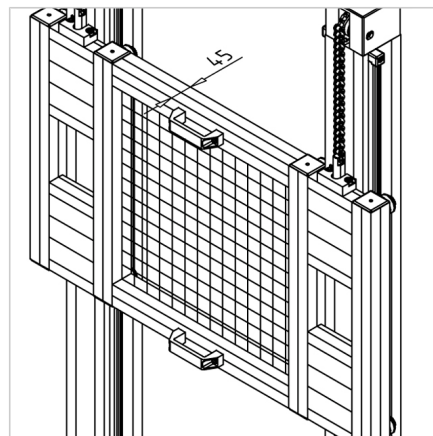
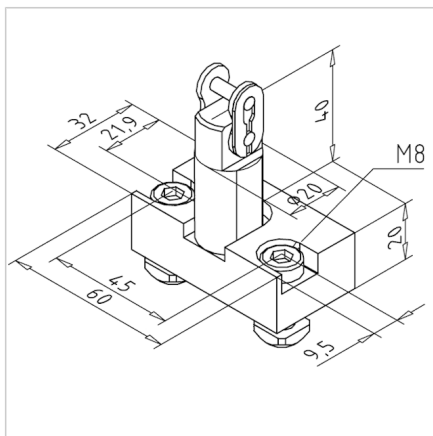
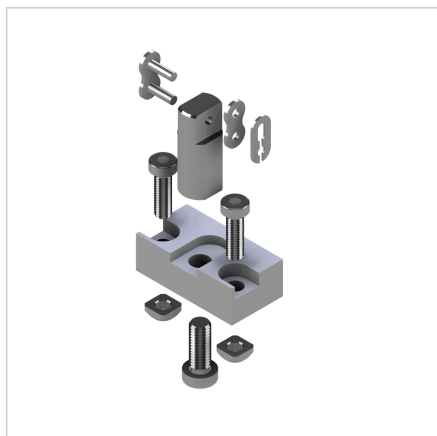


## CHAIN CLAMPING 90 S SLIDE FOR CHAIN PULLEY 90 S

Code: 210929/0

Chain clamp 90 S ensures reliable attachment and precise tensioning of door chains in aluminum profile systems with doors sliding between two profiles.

[Link to the product →](#)



### Technical data/items supplied

- Aluminium, anodized E6/EV1
- With fastening material and chain lock
- Weight = 0.375 kg/piece

### Applications

- Use in conjunction with chain reverse 90 S and chain 08
- For mounting on slide LW 45 or LW 90

### Assembly

- Mount plate on carriage and secure the roller chain 08 using the supplied chain lock