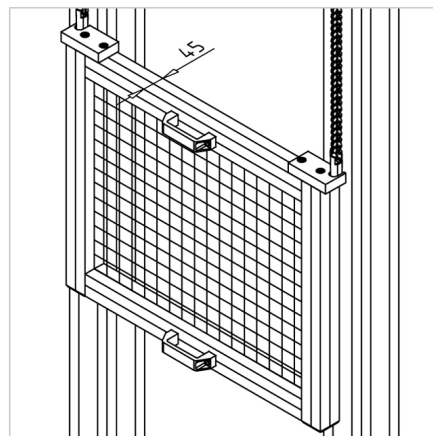
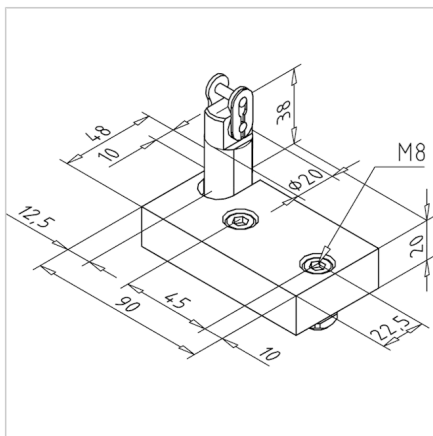
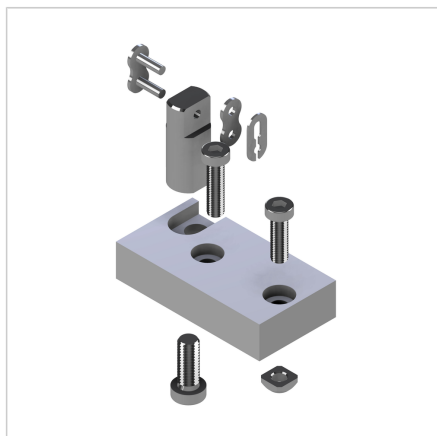


CHAIN CLAMPING DEVICE DOOR 90 S FRONT FOR CHAIN PULLEY 90 S

Code: 210927/0

Chain clamp 90 S ensures secure attachment and precise tensioning of door chains in aluminum profile systems with a front sliding mechanism.

[Link to the product →](#)



Technical data/items supplied

- Aluminium, anodized E6/EV1
- With fastening material and chain lock
- Weight = 0.381 kg/piece

Applications

- Use in conjunction with chain reverse 90 S and chain 08
- Add a lifting plate from Profile 45 x 45 with sliding roller in front of the posts

Assembly

- Mount plate on lifting plate and secure the roller chain 08 using the supplied chain lock
- Each lifting plate requires 2 chain reversing unit