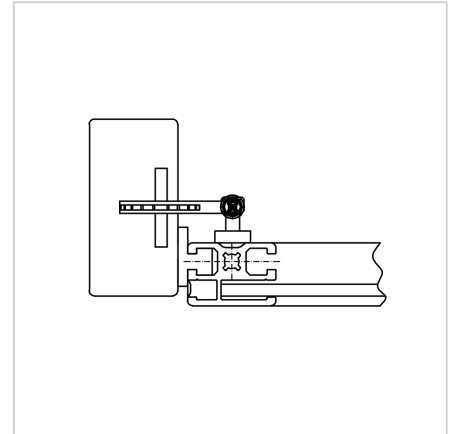
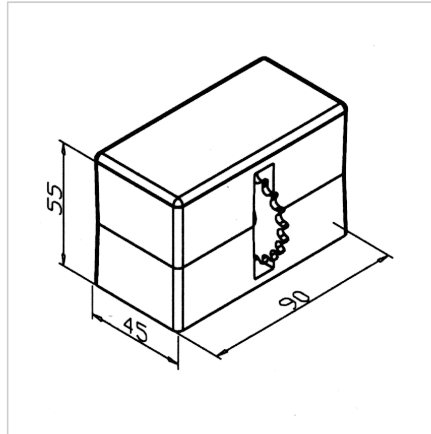


## CHAIN PULLEY 45 A

Code: 211838/0

Chain pulley 45 A for secure chain guidance along profile side, with easy installation and optional hand protection.

[Link to the product →](#)



### Technical data/items supplied

- Aluminium, Pressure die-casting, powder-coated, grey
- Sprocket galvanized steel, ready for installation
- End cap
- With fastening material steel, zinc plated
- Maximum weight of the lifting door with paired insertion of the pulley, 50 kg
- Weight = 0.350 kg/piece

### Applications

- Chain reverse unit of counterweights on lifting doors, for internal compensation weight in profile 45 x 90 F or 45 x 90 G

### Assembly

- Install with supplied hardware, insert thread M8 into the stand profile
- Use of chain 04 **part no. 211713/0** with chain clamp door **part no. 211712/0** and chain clamping weight **part no. 211711/0**
- Chain runs outside center on wide side of profile, if necessary with hand protection **part no. 211780/0** cover