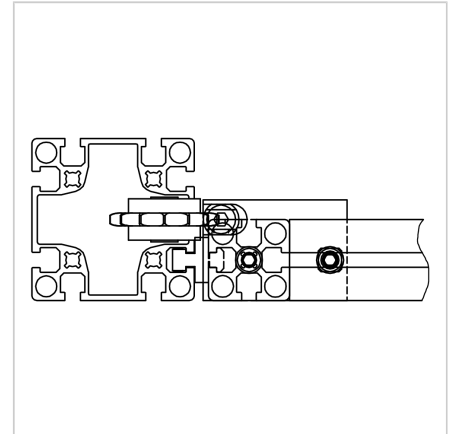
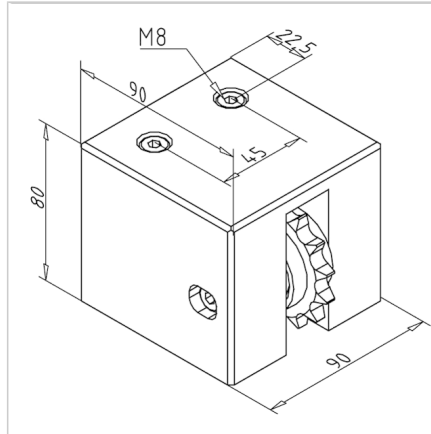
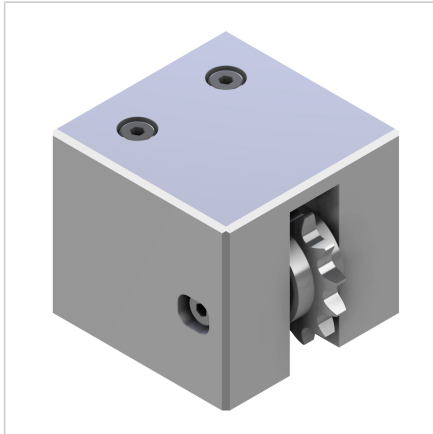


CHAIN REVERSE 90 S

Code: 210920/0

Chain pulley 90 S for reliable guided chain movement on the profile surface, with optional hand protection.

[Link to the product →](#)



Technical data/items supplied

- Aluminium, anodized E6/EV1
- Maximum weight of the lifting door with paired insertion of the pulley, 150 kg
- With fastening material steel, zinc plated
- Weight = 1.748 kg/piece

Applications

- Chain reverse unit of counterweights on lifting doors, for internal balancing weight in profile 90 x 90 L

Assembly

- Use fastening kit
- Use of chain 08 **part no. 290307/0**, chain clamping weight S **part no. 210925/0**