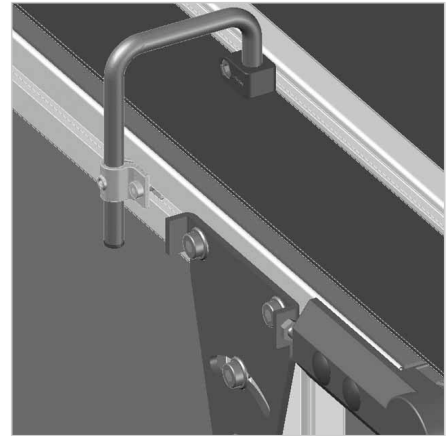
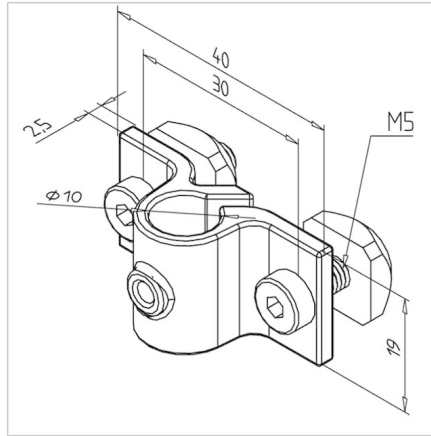


CLAMP HOLDER 10

Code: 295052/0

[Link to the product →](#)



Technical data/items supplied

- Stainless steel, blasted
- 1.4301 / steel zinc plated
- With fastening material steel, zinc plated
- Weight = 0.043 kg/piece

Applications

- Adjustable lateral guides for MiniTec belt conveyors
- Recommended distance from single holder approx. 500 mm

Assembly

- Fasten on profile groove