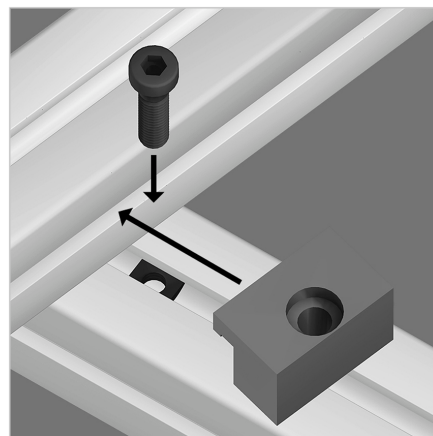
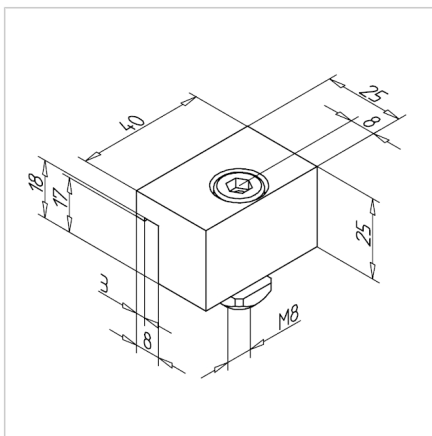
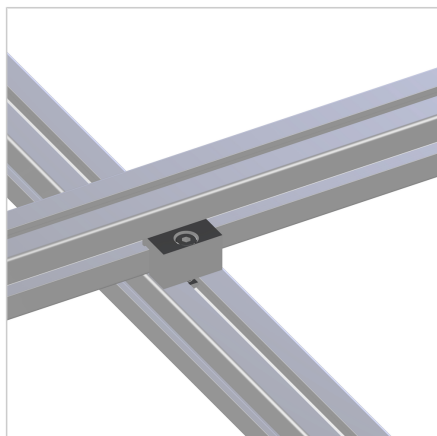


## CLAMPING CLAW

Code: 211027/0

Clamping claw for securing aluminium profiles at various angles. Ideal for adjustable constructions without drilling the profiles.

[Link to the product →](#)



### Technical data/items supplied

- Aluminium, anodized E6/EV1
- With fastening material steel, zinc plated
- Weight = 0.063 kg/piece

### Applications

- Parallel connection of profiles at various angles

### Assembly

- Fasten to profile groove with supplied hardware
- No machining required