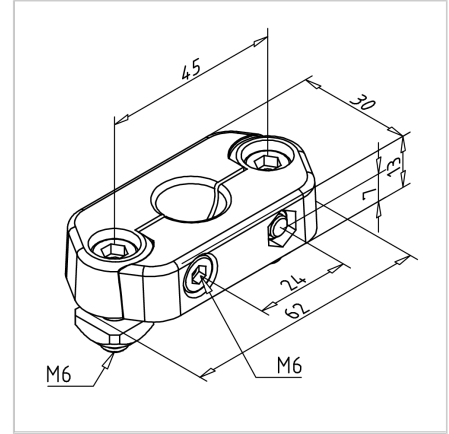
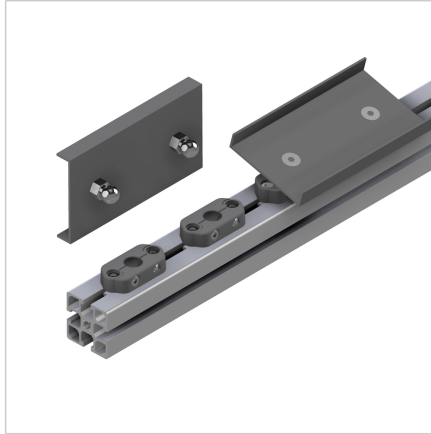
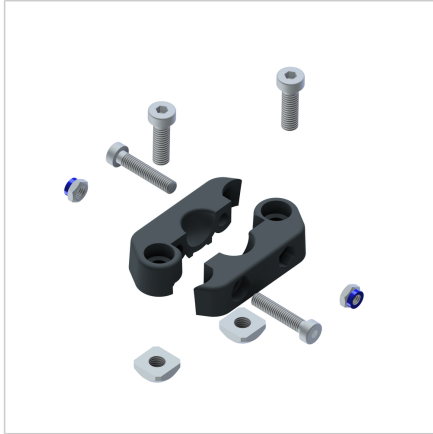


## CLIP - BLOCK FOR BALL HEAD

Code: 221181/0

[Link to the product →](#)



### Technical data/items supplied

- PA, Injection Mould, grey
- Ball Ø15 mm
- With fastening material steel, zinc plated
- Swivel area 15°
- Load capacity up to 150 kg standing vertically
- Weight = 0.054 kg/piece

### Applications

- For the preparation of self-adjusting lines and stoppers
- Exchangeable workpiece or worktool carriers
- To be used with ball head M8 **part no.** [212506/0](#) or the ball screws made of hinged feet PA

### Assembly

- Fasten with fixing material to profile groove
- Holding force adjustable 0 - 50 N