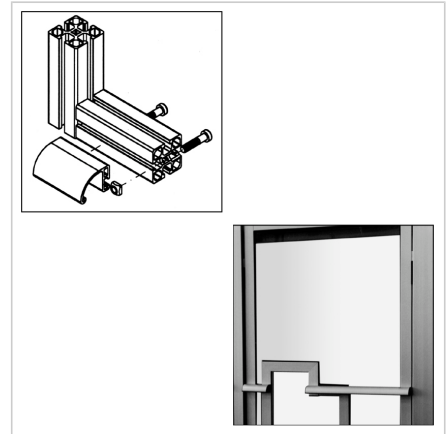
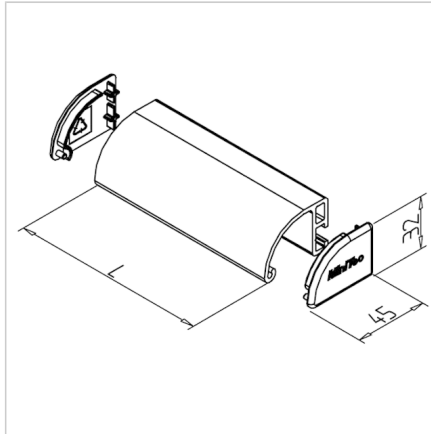
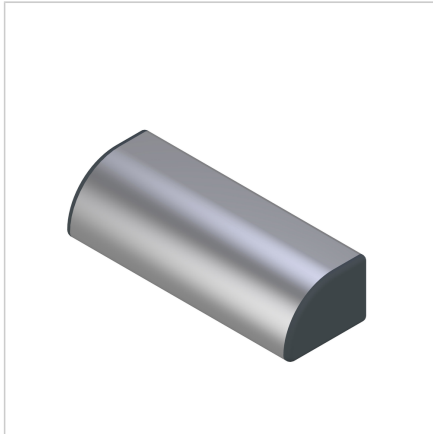


## CLOSE PROTECTIVE HANDLE L = 120 MM

Code: 211048/0

Closed protective handle for safe and sturdy operation on doors and protective units made from aluminium profiles.

[Link to the product →](#)



### Technical data/items supplied

- Aluminium, anodized E6/EV1
- End caps
- Without fastening kit
- Standard length (L) 120 mm
- **Other lengths under Part no. 211048/9 on request**
- **In case of divergent length please specify dimension L**
- Weight = 0.110 kg/piece

### Applications

- Doors
- Lids
- Guard units
- Furniture

### Assembly

- Push the square nuts into the groove on the handle and fixt with corresponding screw from the back
- Alternative:  
Drill hole in handle and fix from the front with short hex kant key and cylinder screws or hex head screws