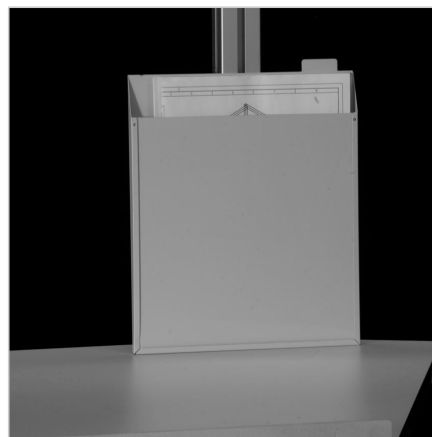
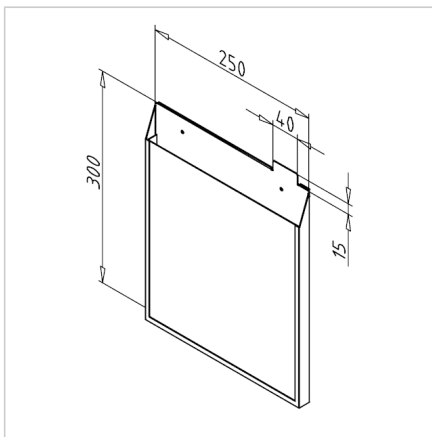
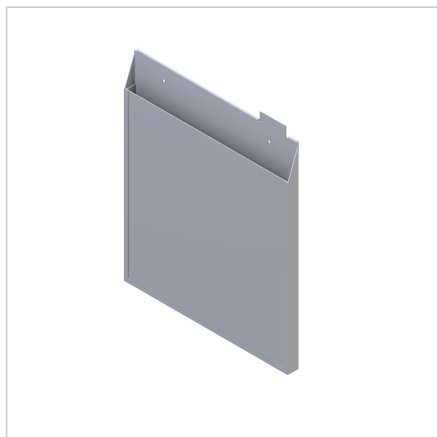


COMPARTMENT SINGLE ELEMENT DIN A4 PORTRAIT FORMAT WITH GREY LOCKING PLATE

Code: 320617/0

Document holder provides practical organization of documents and prevents them from scattering.

[Link to the product →](#)



Technical data/items supplied

- Steel, powder coated, light grey
- With fastening bores \varnothing 4 mm, spacing approx. 16 mm
- With grey closing plate
- Weight = 0.500 kg/piece

Applications

- For size DIN A4 documents
- Optional: vertical document tray, single element, DIN A4 portrait format with transparent end panel **Part no. 320619/0**

Assembly

- Attach to the portal structure or use as an extension element for the base element