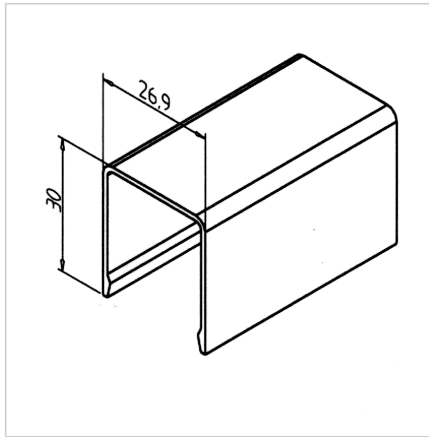
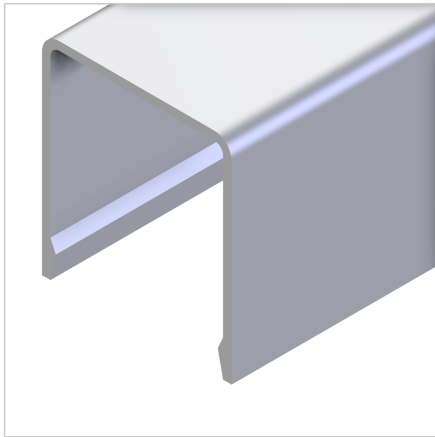


CONDUIT 27 AL

Code: 201051/0

Aluminum cable duct for profiles series 30 designed for efficient cable organization and protection in aluminum constructions.

[Link to the product →](#)



Technical data/items supplied

- Aluminium, extruded, anodized E6/EV1
- Weight = 0.193 kg/m
- Bar length = 6 m

Applications

- Cover for cables and pneumatic hoses

Assembly

- Earthing brackets for optional grounding **part no. E90141/0** can be used
- Clip onto clamp **Art. no.221212/0**