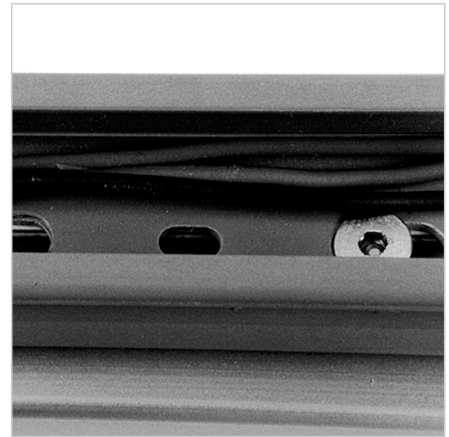
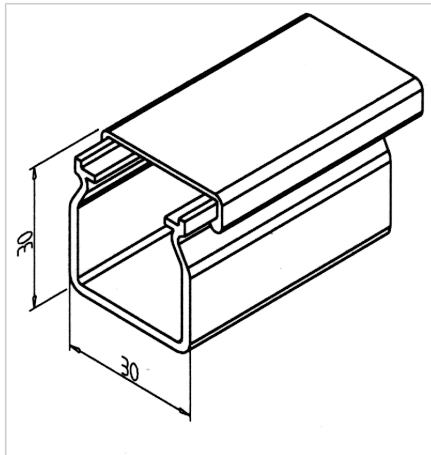
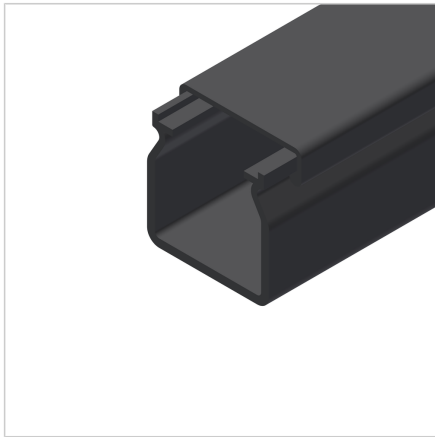


CONDUIT 32 L=2m

Code: 221082/0

Conduit 32 for efficient cable organization and protection in aluminum constructions, ensuring neat and secure cable routing.

[Link to the product →](#)



Technical data/items supplied

- PVC, grey
- Snap-cover
- Weight = 0.275 kg/m
- Bar length = 2 m

Applications

- Laying of cables and hoses in all types of construction

Assembly

- Fastening with screws M6 x 12 and rhombus-nut M6