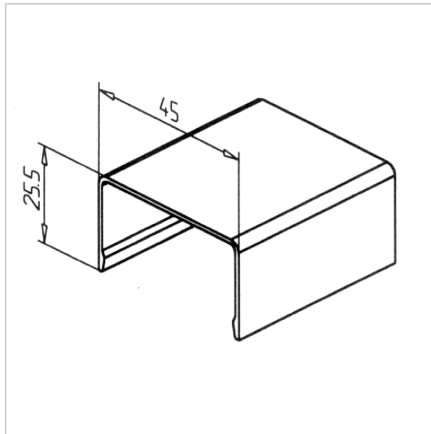
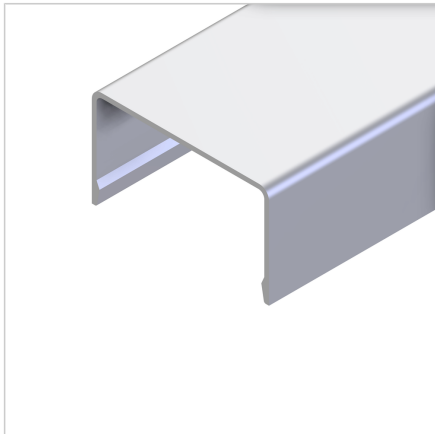


CONDUIT 45 AL

Code: 201071/0

Aluminum cable duct for profiles series 45 designed for efficient cable organization and protection in aluminum constructions.

[Link to the product →](#)



Technical data/items supplied

- Aluminium, anodized E6/EV1
- Weight = 0.301 kg/m
- Bar length = 6 m

Applications

- Cover for cables and pneumatic hoses

Assembly

- On clamp 45 **part no. 221210/0** clipping on
- Earthing brackets for optional grounding **part no. E90141/0** can be used