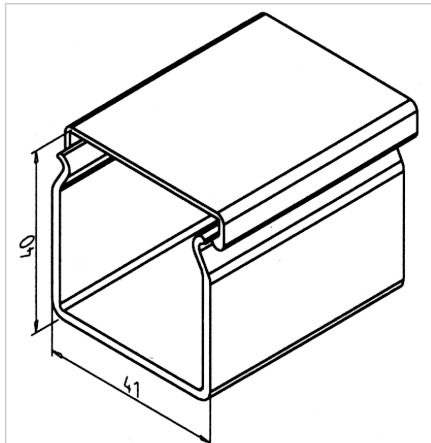
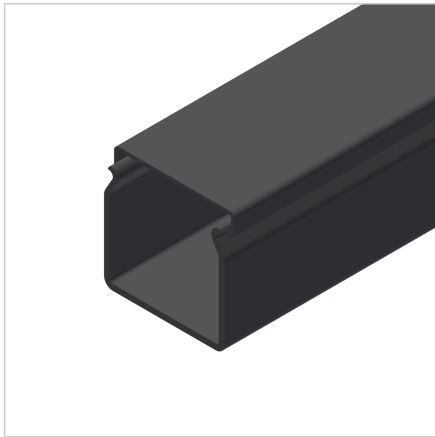


## CONDUIT 45 L=2m

Code: 221084/0

Conduit 45 for efficient cable organization and protection in aluminum constructions, ensuring neat and secure cable routing.

[Link to the product →](#)



### Technical data/items supplied

- PVC, grey
- Snap-cover
- Weight = 0.402 kg/m
- Bar length = 2 m

### Applications

- Laying of cables and hoses in all types of construction

### Assembly

- Fastening with screws M6 x 12 and rhombus-nut M6