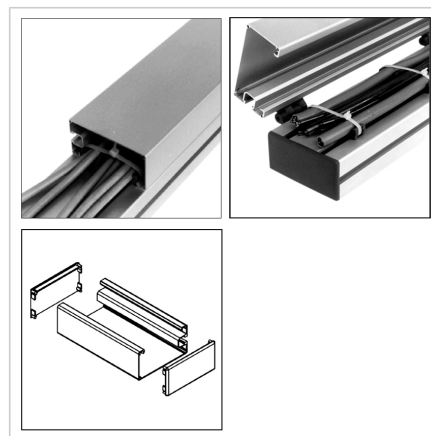
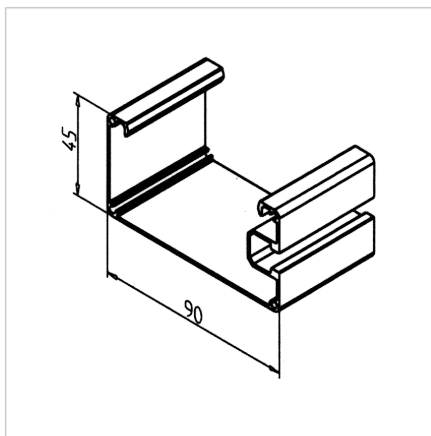
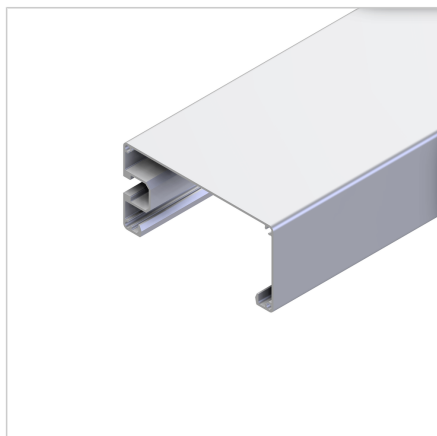


CONDUIT 90 AL

Code: 201056/0

Aluminum cable 90 duct for profiles series 45 designed for efficient cable organization and protection in aluminum constructions.

[Link to the product →](#)



Technical data/items supplied

- Aluminium, anodized E6/EV1
- Weight = 0.958 kg/m
- Bar length = 6 m

Applications

- Cover for cables and pneumatic hoses
- Suitable for MiniTec profiles, grid dimension: 90
- Can also be swung open, when used with hinges
- End ledges with integrated energy supply

Assembly

- Clip onto clamp **Art. no. 221204/0**
- Cap **part no. 221045/0**
- Earthing brackets for optional grounding **part no. E90141/0** can be used