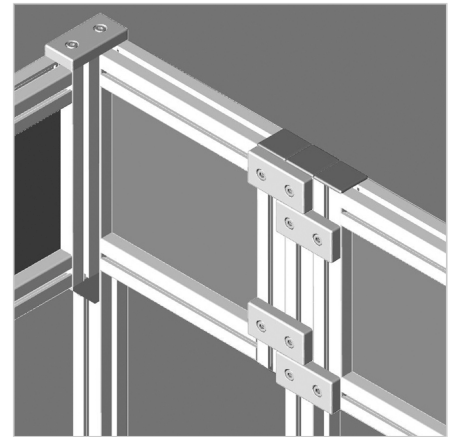
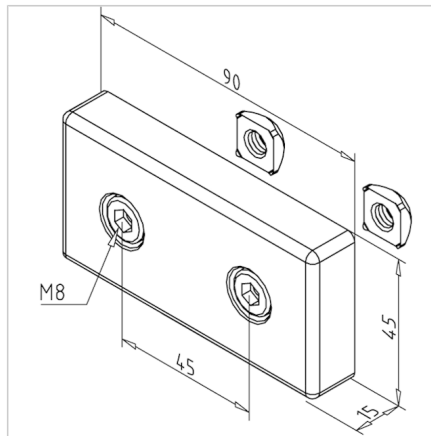
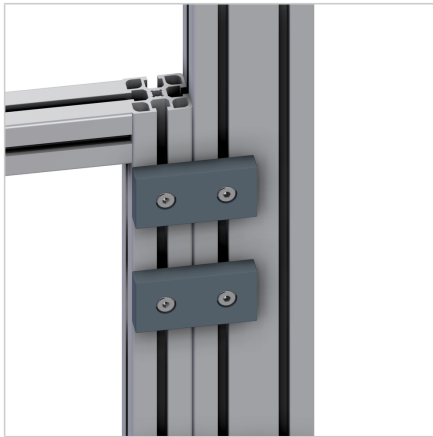


CONNECTING PLATE 45X90 CONDUCTIVE

Code: 211472/6

Conductive connecting plate 45 x 90 for secure and gap-free connection of aluminium profile guard units. Ensures stable and safe constructions.

[Link to the product →](#)



Technical data/items supplied

- Aluminium, Pressure die-casting, powder-coated, grey
- With fastening material steel, zinc plated
- Weight = 0.180 kg/piece

Applications

- Connection of two guards without gap
- Strengthening of guard units
- Connection of pre-assembled modules

Assembly

- Install to groove of guard unit and posts with supplied hardware