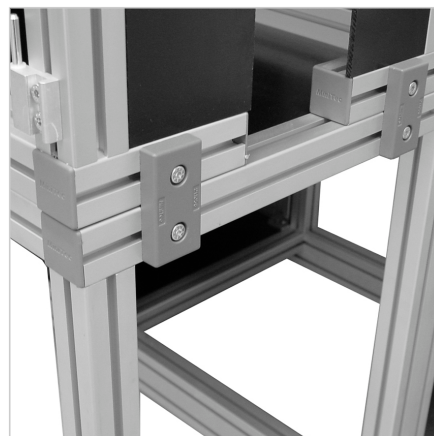
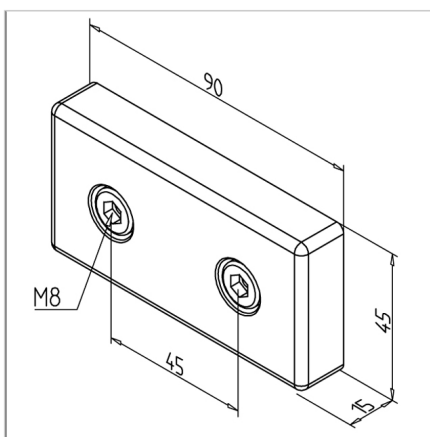
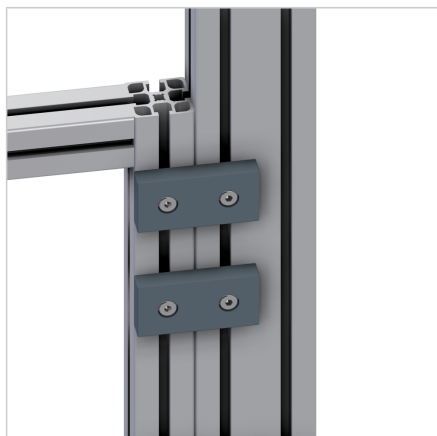


CONNECTING PLATE 45X90

Code: 211472/0

Connecting plate 45 x 90 for gap-free connection of two aluminium profile guard units. Used to strengthen units and connect pre-assembled modules for stable constructions.

[Link to the product →](#)



Technical data/items supplied

- Aluminium, Pressure die-casting, powder-coated, grey
- With fastening material steel, zinc plated
- Conductive version Art. no. [211472/6](#)
- Weight = 0.182 kg/piece

Applications

- Connection of two guards without gap
- Strengthening of guard units
- Connection of pre-assembled modules

Assembly

- Install to groove of guard unit and posts with supplied hardware