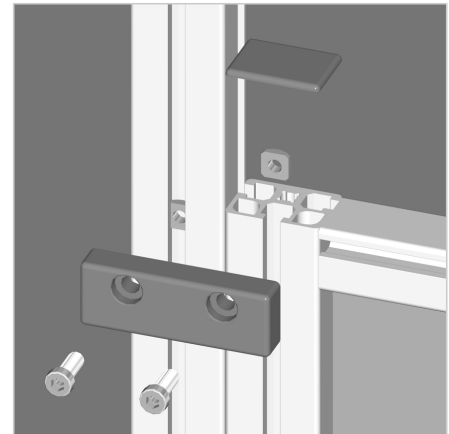
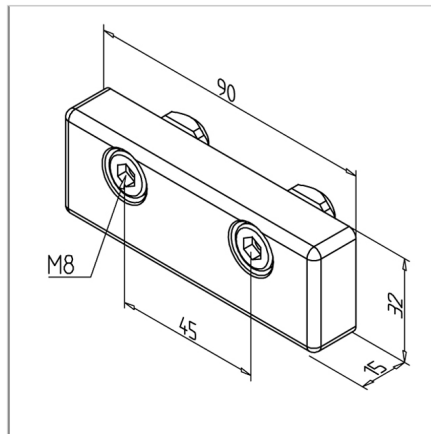


## CONNECTING PLATE 90X32

Code: 211346/0

Connecting plate 90 x 32 for gap-free connection of two aluminium profile guard units. Used to strengthen units and connect pre-assembled modules for stable constructions.

[Link to the product →](#)



### Technical data/items supplied

- Aluminium, Pressure die-casting, powder-coated, grey
- With fastening material steel, zinc plated
- Weight = 0.136 kg/piece

### Applications

- Connection of two guards without gap
- Strengthening of guard units
- Connection of pre-assembled modules

### Assembly

- Install to groove of guard unit and posts with supplied hardware