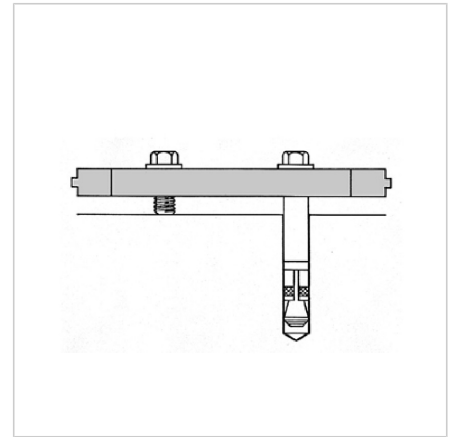
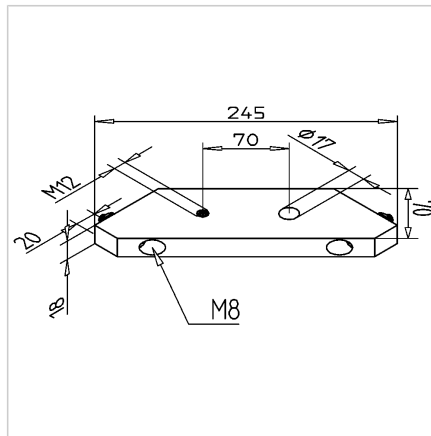


CORNER 180

Code: 211784/0

180° corner bracket designed to reinforce structures and secure internal feet or rollers, ideal for stable floor or wall mounting and leveling.

[Link to the product →](#)



Technical data/items supplied

- Aluminium, anodized E6/EV1
- With fastening material steel, zinc plated
- For use on vertical struts, beam **part no. 211784/7** (square nuts with position-fixing)
- Weight = 0.690 kg/piece

Applications

- Strengthening of heavy constructions
- Fixation of internal feet or rollers
- Floor mounting and leveling heavy constructions

Assembly

- On profile side, with fastening kit
- On floor side, fasten with floor anchor and levelling screw M 12