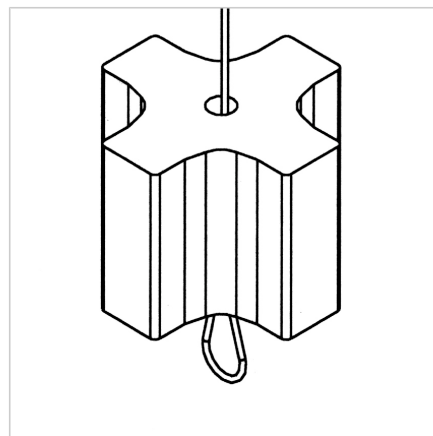
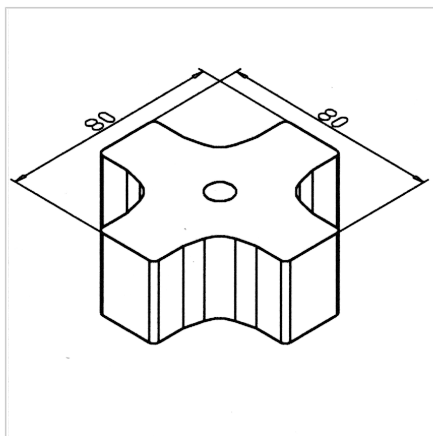


COUNTERWEIGHT 90

Code: 211778/0

Counterweight 90 provides reliable balancing and stabilization for aluminum door systems, ensuring smooth operation and enhanced safety.

[Link to the product →](#)



Technical data/items supplied

- Lead
- For profiles 90 x 90
- Length 0,260 m
- Weight = 38.500 kg/m

Applications

- Weight compensation for lightweight lifting doors
- Suitable for cable or roller chain 04 or roller chain 08

Assembly

- Set it into profile with pre-assembled cable or pre-assembled chain
- We recommend weighing the weights and adding a small weight allowance, this compensates for friction losses and lifting doors are somewhat easier to open