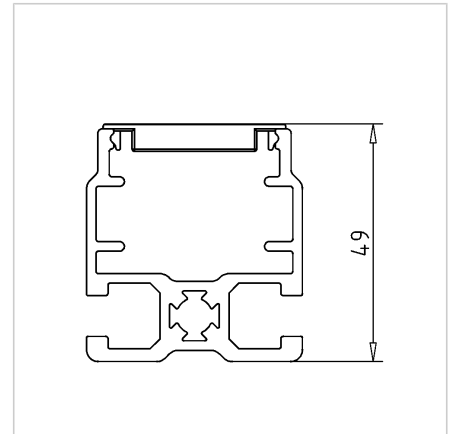
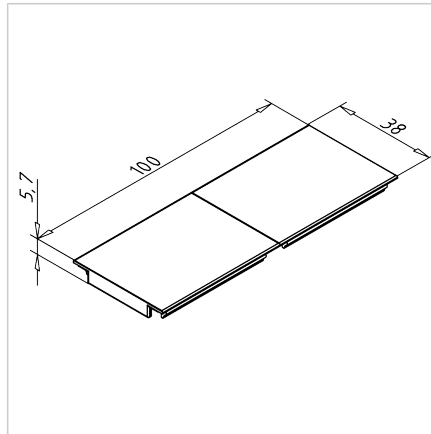


COVER 45 FRS - G

Code: 320661/2

Profile cover 45 FRS-G protects areas without roller elements, shields the profile interior from dirt, and ensures a secure construction finish.

[Link to the product →](#)



Technical data/items supplied

- ABS, Injection Mould, black
- ESD-compatible
- System height (SH): 49 mm
- Weight = 0.005 kg/piece

Applications

- For covering profile FRS **article no. 201152/0**, in the areas in which no roller elements are installed.

Assembly

- Can be clipped into the profile in any position required