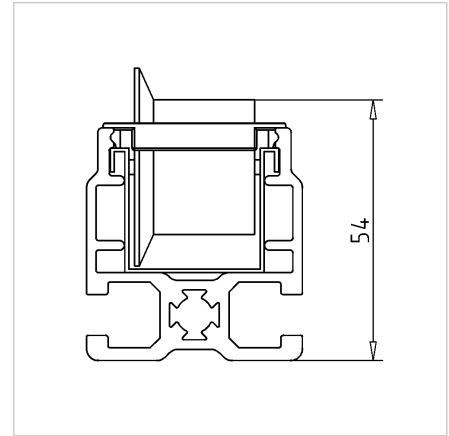
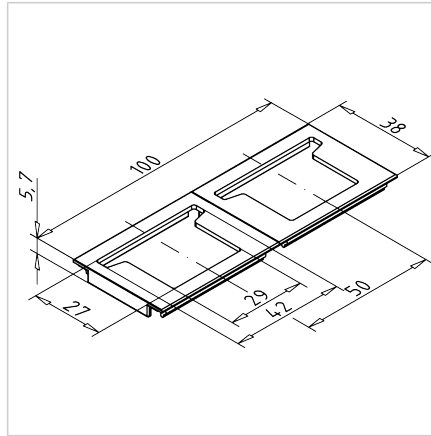
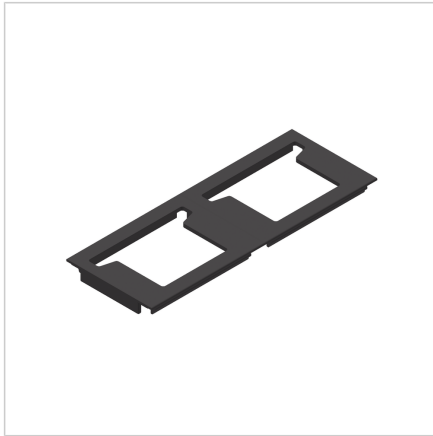


COVER 45 FRS - S

Code: 320661/0

[Link to the product →](#)



Technical data/items supplied

- ABS, Injection Mould, black
- ESD-compatible
- System height of the covered roller strip (SH): 54 mm
- Weight = 0.007 kg/piece

Applications

- For covering roller strips **article no.** [320560/0](#) or [320565/0](#)

Assembly

- Can be clipped into the profile in any position required