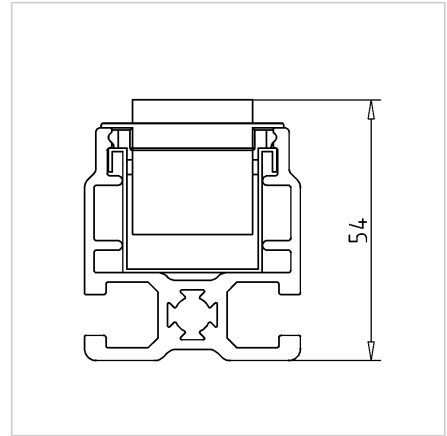
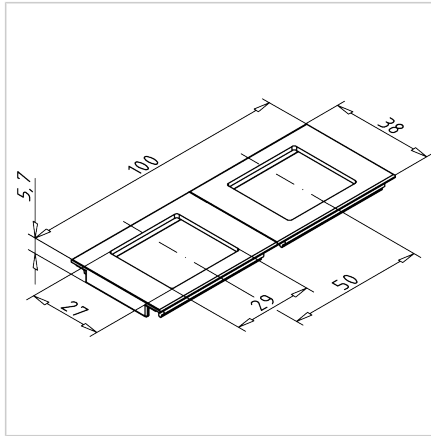
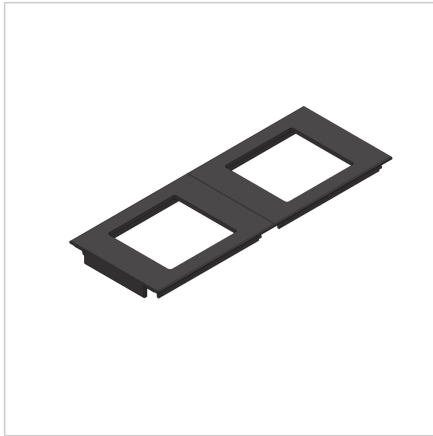


## COVER 45 FRS - Z

Code: 320661/1

[Link to the product →](#)



### Technical data/items supplied

- ABS, Injection Mould, black
- ESD-compatible
- System height of the covered roller strip (SH): 54 mm
- Weight = 0.005 kg/piece

### Applications

- For covering roller strips **article no.** [320550/0](#) or [320555/0](#)

### Assembly

- Can be clipped into the profile in any position required