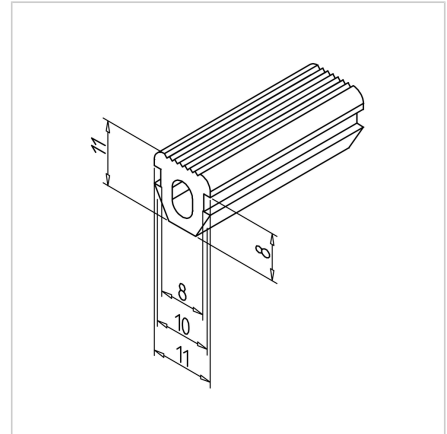
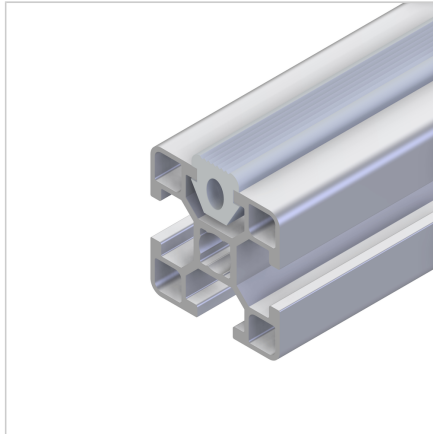
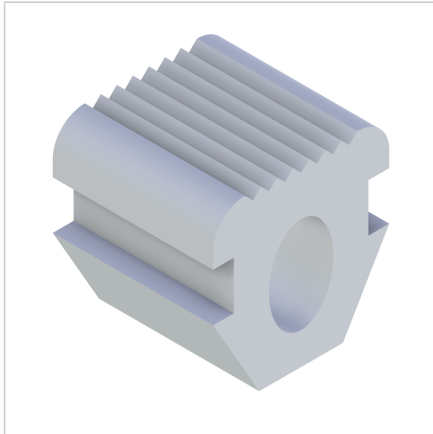


## COVER PROFILE 30

Code: 221185/0

Cover profile 30 in grey for aesthetic and protective finishing of aluminium profiles in series 30.

[Link to the product →](#)



### Technical data/items supplied

- EPDM, grey
- Hardness (Shore A) 70°
- Roll length 50 m
- Weight = 0.087 kg/m

### Applications

- Material shelves
- Edge Protection
- Support plates

### Assembly

- Press into profile groove
- Suitable for the profiles of the profile series 30