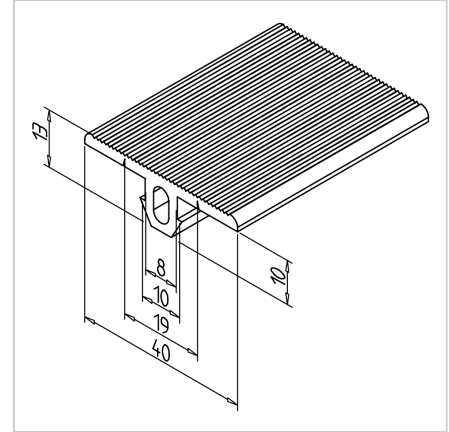
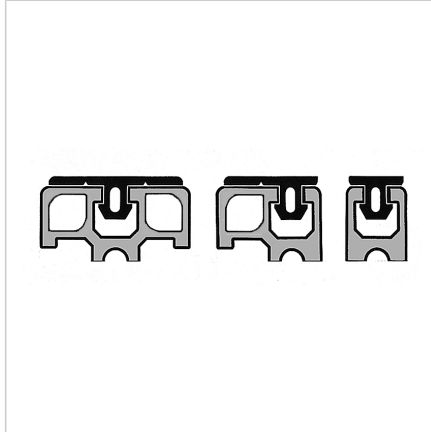
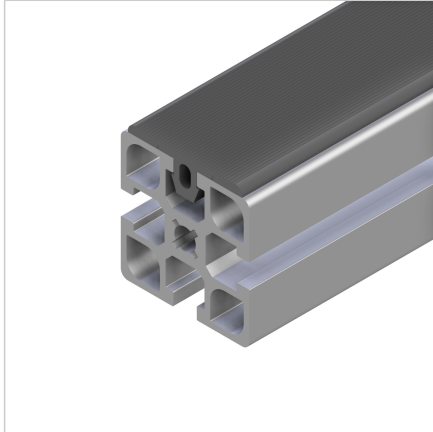


COVER PROFILE EPDM, GREY

Code: 221098/1

Cover profile 45 for durable protection and aesthetic finishing of aluminium profiles series 45 in grey.

[Link to the product →](#)



Technical data/items supplied

- NBR, extruded, grey
- Hardness (Shore A) 70°
- Roll length 50 m
- Weight = 0.230 kg/m

Applications

- Edge Protection
- Safety requirement step
- Ladders
- Material shelves

Assembly

- Press into profile groove
- The lower side of the profile has 2 tear-off notches for adjustment of width to the aluminium profile