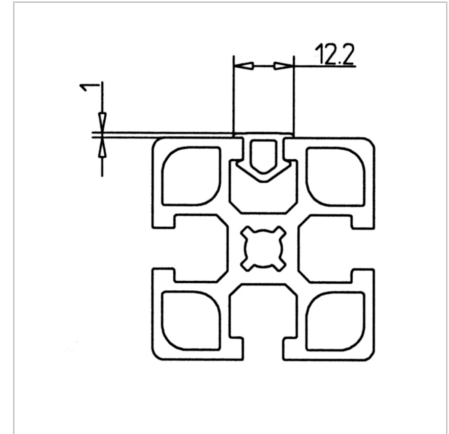
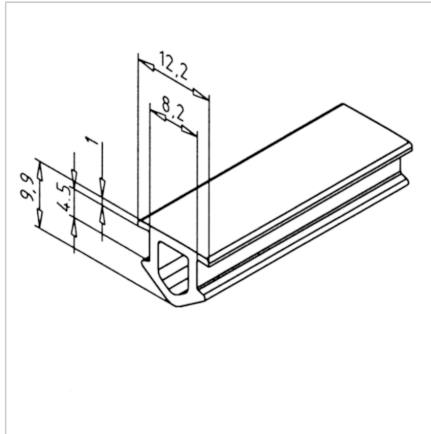
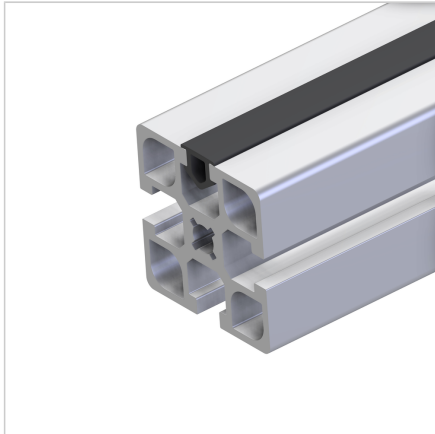


COVER PROFILE G

Code: 221010/0

Dust-tight cover profile G for sealing profile grooves while keeping space free for cables or hoses.

[Link to the product →](#)



Technical data/items supplied

- NBR, black
- Roll length 100 m
- Hardness (Shore A) 70°
- Weight = 0.072 kg/m

Applications

- Dust-tight sealing of the profile grooves
- The groove cross-section remains largely free for laying cables or hoses

Assembly

- Press by hand onto profile groove