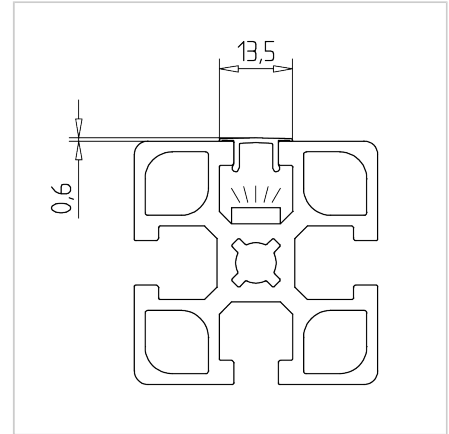
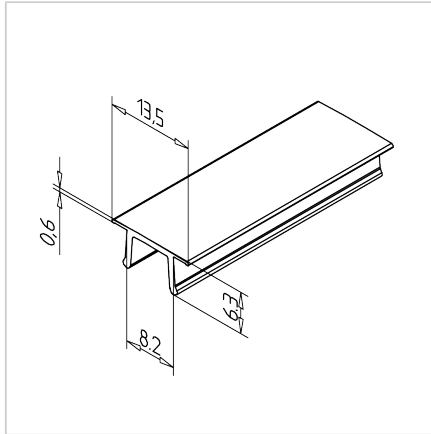
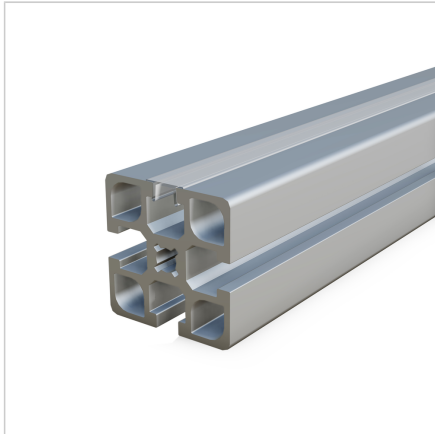


COVER PROFILE K TRANSPARENT L=2m

Code: 221020/3

Transparent cover profile K for LED strip protection and groove sealing, allowing cable routing or placement of info plates.

[Link to the product →](#)



Technical data/items supplied

- PP, extruded, transparent
- Weight = 0.023 kg/m
- Length = 2m

Applications

- For covering lighting elements in the profile groove, e.g. LED strips
- Dust-tight sealing of the profile grooves
- The groove cross-section remains largely free for laying cables or hoses
- Information plates

Assembly

- Press by hand onto profile groove