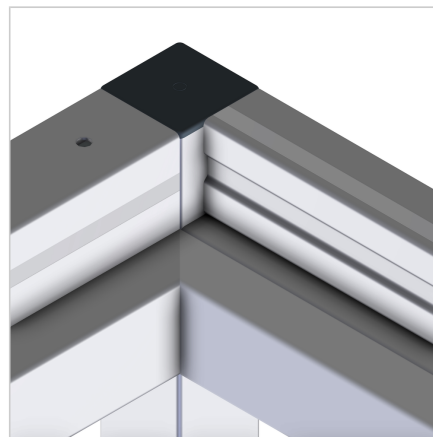
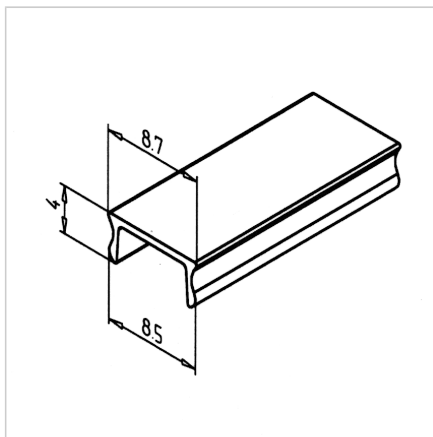
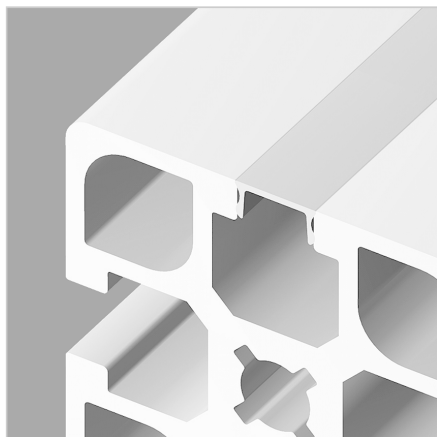


COVER PROFILE L E6/EV1

Code: 201021/1

Anodized cover profile L E6/EV1 for durable protection and clean finish of aluminium profiles.

[Link to the product →](#)



Technical data/items supplied

- Aluminium, anodized E6/EV1
- Also available non-anodised on request
Part no. [201021/0](#)
- Weight = 0.030 kg/m
- Bar length = 2 m

Applications

- Dust-tight sealing of the profile grooves
- The groove cross-section remains largely free for laying cables or hoses
- Information plates

Assembly

- Press by hand onto profile groove