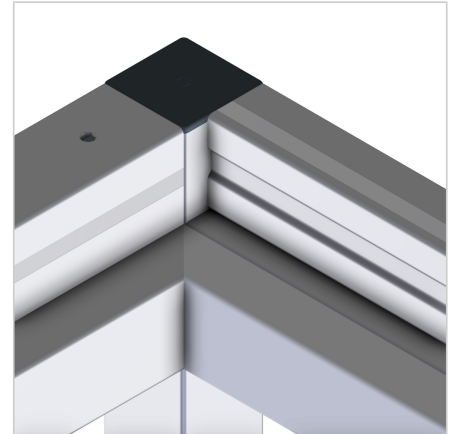
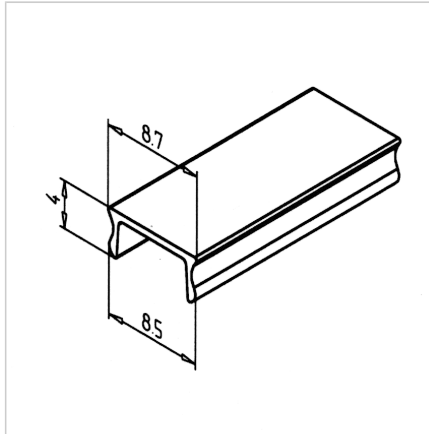
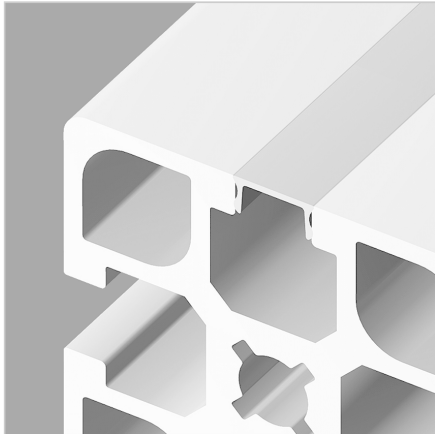


## COVER PROFILE L UNANODISED L=2m

Code: 201021/0

Cover profile LR for Minitec linear guides LR 12, providing aesthetic protection and neat finishing.

[Link to the product →](#)



### Technical data/items supplied

- Aluminium, extruded, bright
- Also available anodised on request **Art. no. 201021/1**
- Weight = 0.030 kg/m
- Bar length = 2 m

### Applications

- Dust-tight sealing of the profile grooves
- The groove cross-section remains largely free for laying cables or hoses
- Information plates

### Assembly

- Press by hand onto profile groove