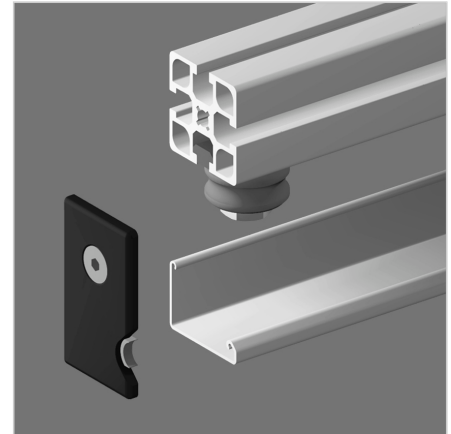
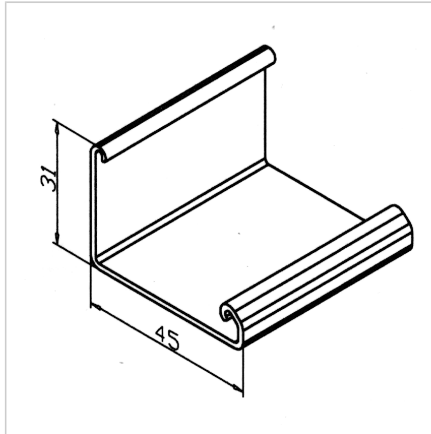
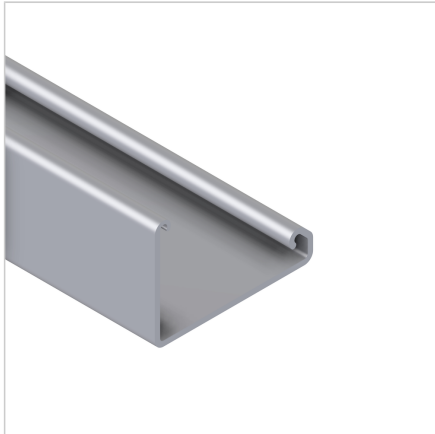


## COVER PROFILE LR

Code: 280049/0

Aluminum cover profile for LR linear systems, designed for protection and a clean finish of linear guides.

[Link to the product →](#)



### Technical data/items supplied

- Aluminium, extruded, anodized E6/EV1
- Weight = 0.362 kg/m
- Bar length = 6 m

### Applications

- All MiniTec-linear guides LR 12

### Assembly

- Cut profile according to the length of the slide
- Insert the cover profile between the end caps; insert the felts; fasten the end caps LR on the slide by means of the supplied screws