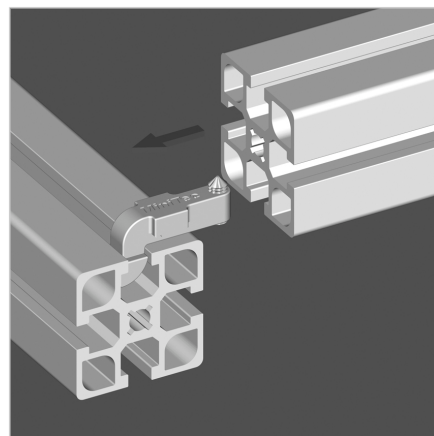
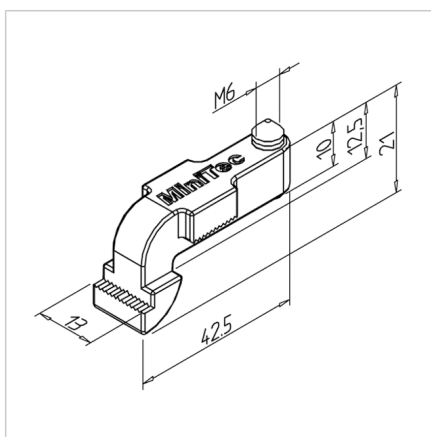
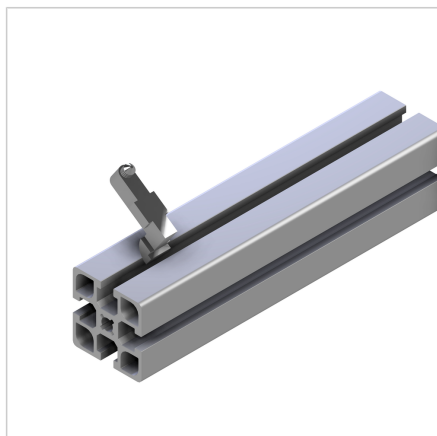


## CROSS-CONNECTOR 45

Code: 210006/0

Cross-connector 45 for fast and reliable connection of all profiles in the 45 series. Ideal for retrofitting and ESD-sensitive constructions.

[Link to the product →](#)



### Technical data/items supplied

- Steel, galvanized
- Connection element with pre-assembled threaded pin M6
- Weight = 0.035 kg/piece

### Applications

- For connecting all profiles of the profile series 45
- Especially for retrofitting profiles into existing constructions
- Appropriate for ESD implementations

### Assembly

- Swing the connector into the existing frame
- Push the new profile over the connector
- Tighten set screw in connector with wrench size 3 to 10 Nm torque