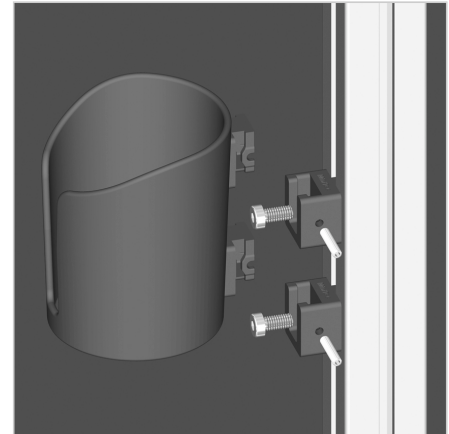
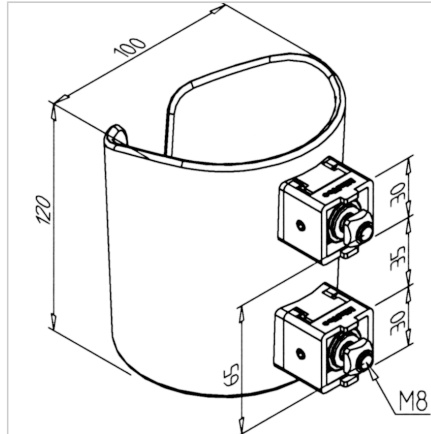


## CUP OR BOTTLE HOLDER WITH MINITEC CUP

Code: 320547/0

Drink holder provides secure storage for bottles and glasses, preventing spills at the workspace.

[Link to the product →](#)



### Technical data/items supplied

- PA, grey
- Fastening kit
- Weight = 0.213 kg/piece

### Applications

- Cup or bottle holder for workplace systems
- With cut-out for cup handle

### Assembly

- Fasten rectangular connectors to post profile with supplied hardware at a distance of 35 mm
- Push the cup holder into the t-slot shaped recesses
- For adjustment use set screw M5