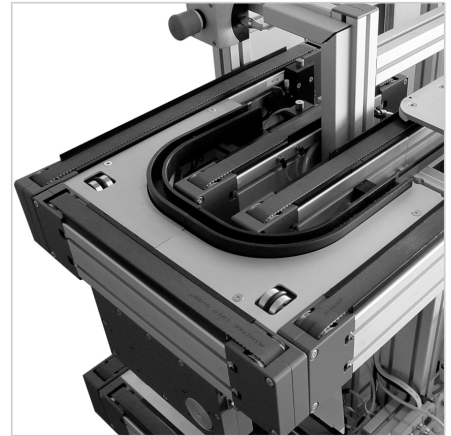
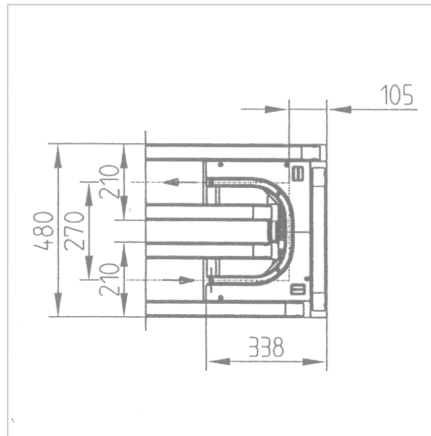
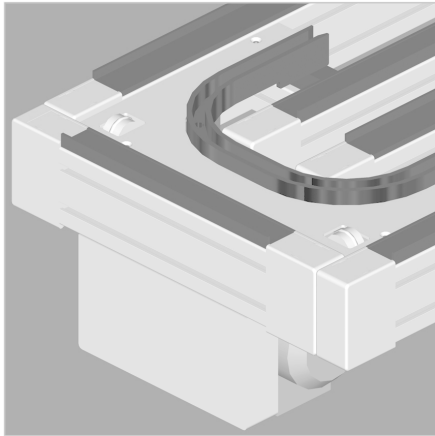


CURVE 200 - 180° LEFT

Code: 430061/0

[Link to the product →](#)



Technical data/items supplied

- 1 transverse section with drive module, motor mounted
- Beams with curve guidance made of PE
- 2-part cover
- Friction wheel with drive roller
- Fastening material

Applications

- No separation before curve required
- Production of compact transfer systems, auxiliary connections or combined system concepts
- Suitable for track width 200

Assembly

- Right version art. no.: **430060/0**
Left version with opposite running direction Art. no.: 430061/0