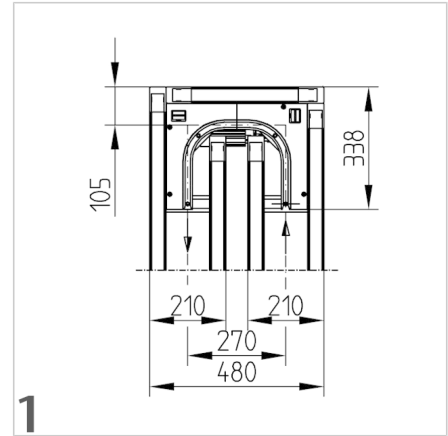
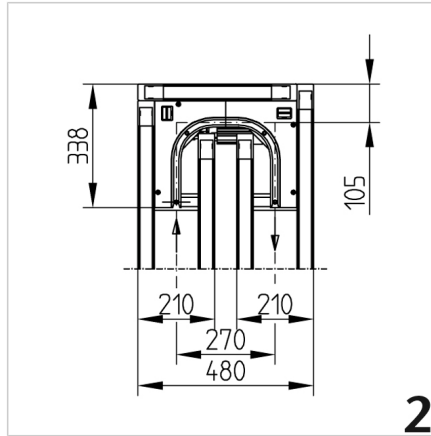
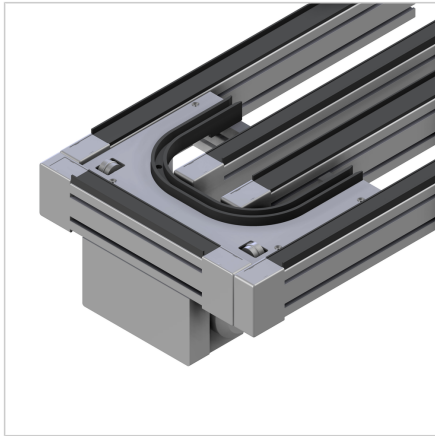


## CURVE 200 - 180° RIGHT

Code: 430060/0

[Link to the product →](#)



### Technical data/items supplied

- 1 transverse section with drive module, motor mounted
- Beams with curve guidance made of PE
- 2-part cover
- Friction wheel with drive roller
- Fastening material
- Weight = 13.860 kg/piece

### Applications

- No separation before curve required
- Production of compact transfer systems, auxiliary connections or combined system concepts
- Suitable for track width 200

### Assembly

- Place the friction wheel on the reverse unit (on the inlet side in the conveying direction)
- Assemble corners with curvilinear guide
- Install transverse transport with assembled drive module
- Screw on cover
- Right version art. no.: [430060/0](#)  
Left version with opposite running direction Art. no.: [430061/0](#)